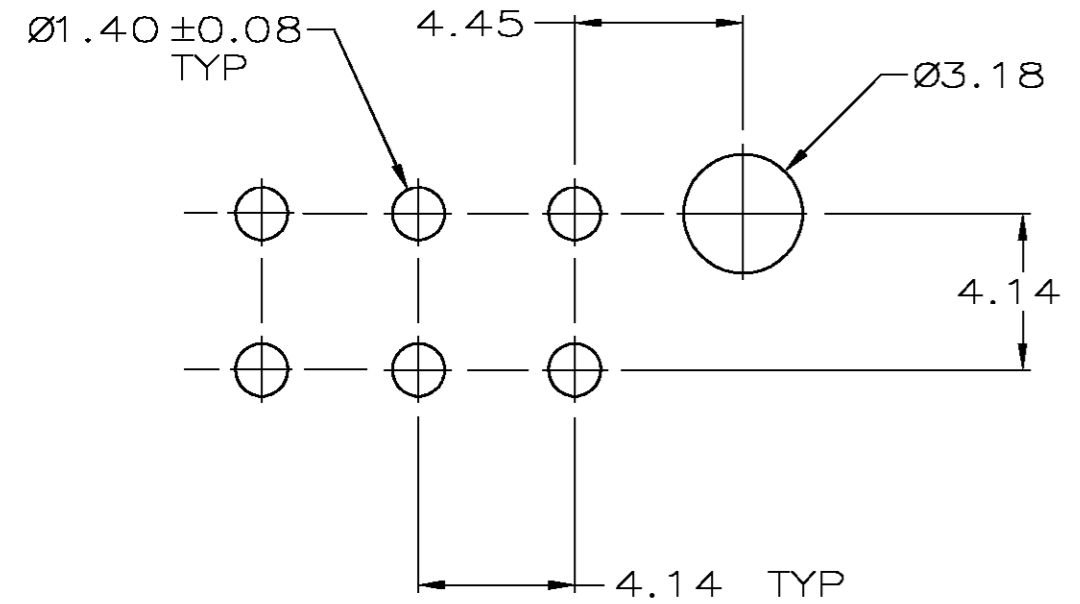
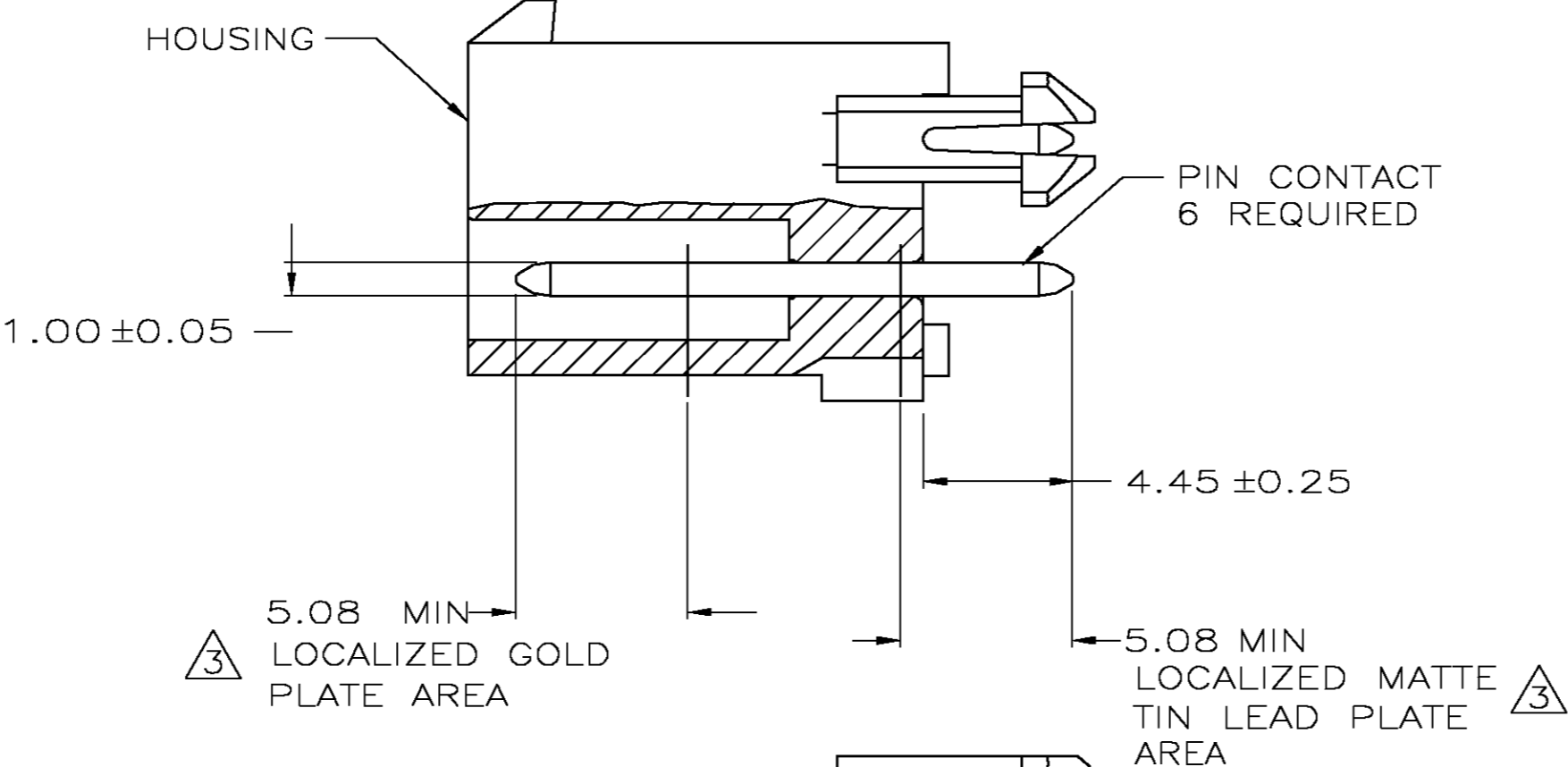
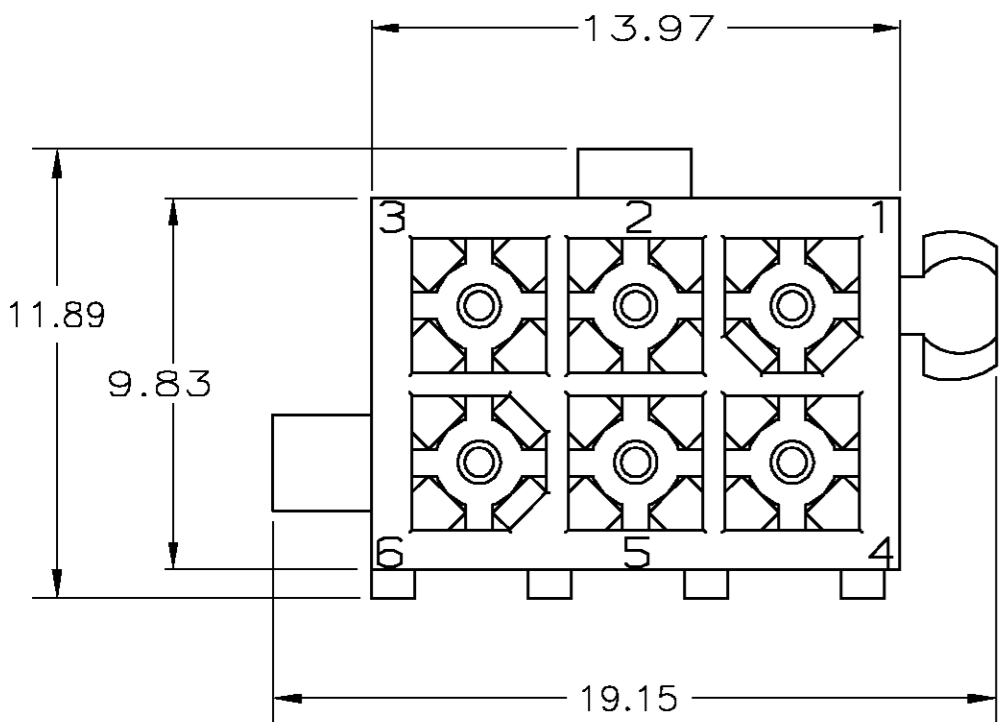


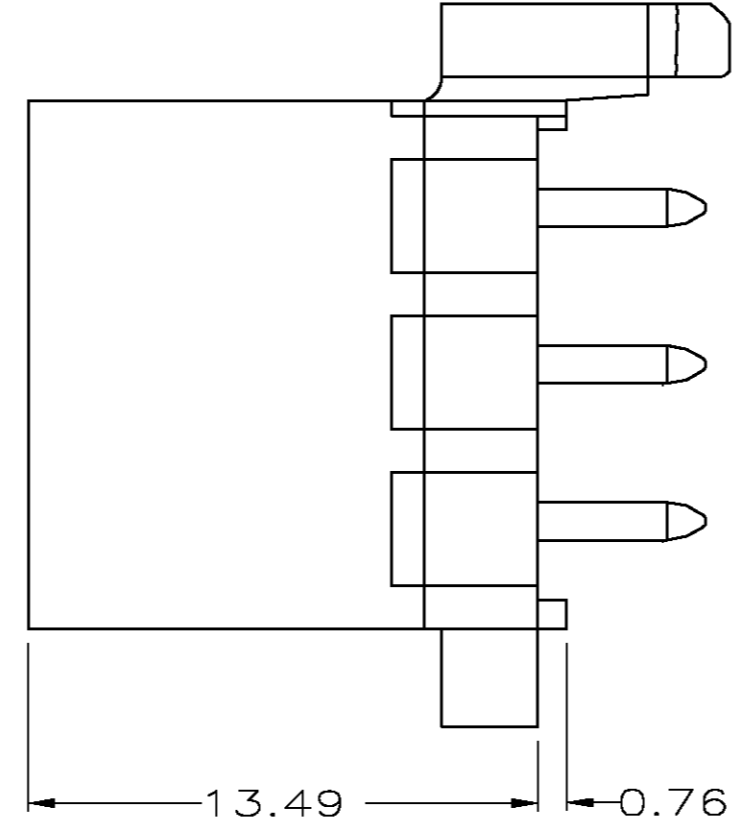
THIS DRAWING IS UNPUBLISHED. RELEASED FOR PUBLICATION
 © COPYRIGHT BY TYCO ELECTRONICS CORPORATION. ALL RIGHTS RESERVED.

LOC		DIST		REVISIONS			
P	LTR	DESCRIPTION	DATE	DWN	APVD		
K		REV PER ECN 0G3B-03B2-03	28JUL03	SC	CJ		



RECOMMENDED LAYOUT FOR 1.57 THICK BOARD
 TOLERANCES NON-ACCUMULATIVE

- PINS TO COMPLY WITH AMP SOLDERABILITY SPEC. 109-11-3.
- 0.00381 MIN MATTE TIN LEAD PLATE OVER 0.00127 MIN NICKEL.
- 0.00076 MIN GOLD PLATE IN THE LOCALIZED PLATE AREA, 0.00381 MATTE TIN LEAD IN THE LOCALIZED PLATE AREA, BOTH OVER 0.00127 MIN NICKEL.
- 0.00381 MIN MATTE TIN PLATE OVER 0.00127 MIN NICKEL.



MM	IN	MM	IN
1.00	.039	13.97	.550
0.76	.030	13.49	.531
0.25	.010	9.83	.387
0.13	.005	5.08	.200
0.08	.003	4.45	.175
0.05	.002	4.14	.163
0.00381	.000150	3.18	.125
0.00127	.000050	1.57	.062
0.00076	.000030	1.40	.055

CONVERSION TABLE

METRIC

BRASS, TIN	4	NYLON, UL94V-0	WHITE	1-770178-0
BRASS, GOLD	3	NYLON, UL94V-0	WHITE	770178-2
BRASS, TIN-LEAD	2	NYLON, UL94V-0	WHITE	770178-1
MATERIAL	FINISH	MATERIAL	COLOR	PART NO.

THIS DRAWING IS A CONTROLLED DOCUMENT.		DWN S. CARPENTER 28JUL2003	Tyco Electronics Corporation Harrisburg, PA 17105	
DIMENSIONS: INCHES		CHK C. JONES 28JUL2003	NAME C. JONES 28JUL2003	
TOLERANCES UNLESS OTHERWISE SPECIFIED:		APVD C. JONES 28JUL2003	PRODUCT SPEC	
0 PLC ±		APPLICATION SPEC		
1 PLC ±		WEIGHT		
2 PLC ± 0.13		SIZE A2 CAGE CODE 00779 C=770178		
3 PLC ±		DRAWING NO 770178		
4 PLC ±		RESTRICTED TO		
ANGLES ±		SCALE 5:1 SHEET 1 OF 1 REV K		
FINISH		CUSTOMER DRAWING		

CUSTOMER DRAWING

LARRY H. SMITH 3323 177-34 BUSINESS GROUP

770178