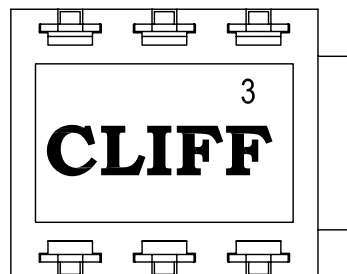
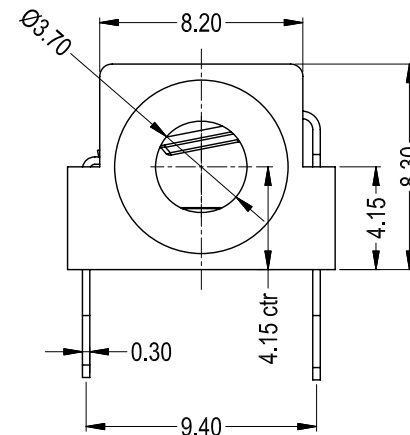
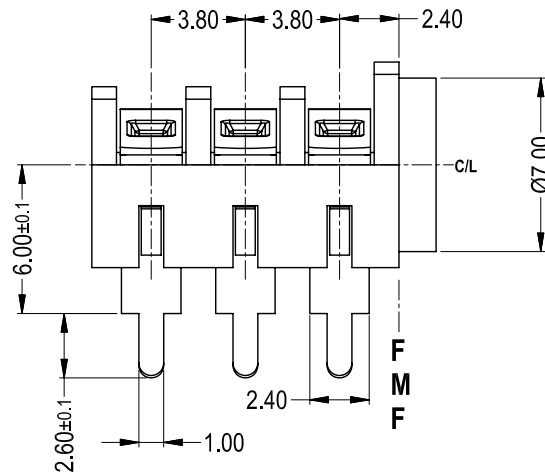
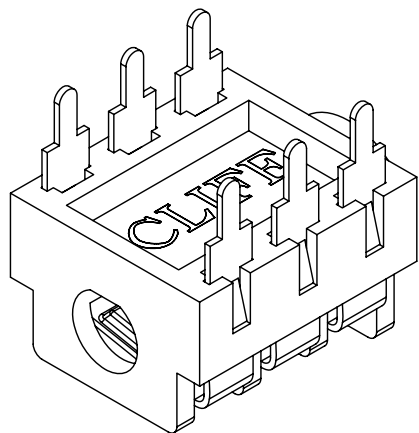
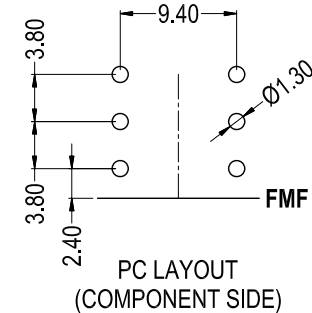
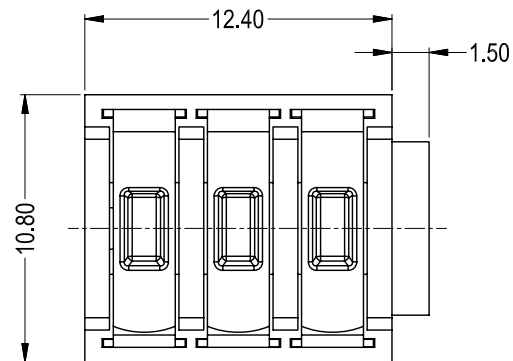
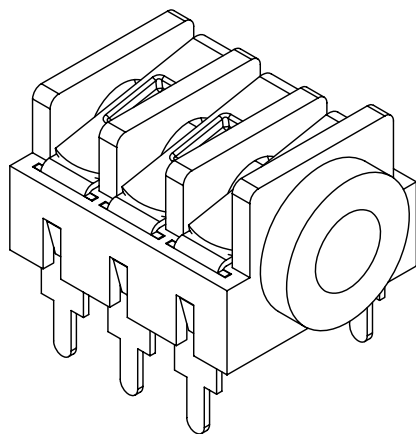


ISS.	AMEND	DATE
A	1st DRAWN	14/10/10



**MATERIALS**

- BODY - PBT (BLACK)
- FIXED CONTACT - 1/2 HARD BRASS TIN PLATED
- MOVING CONTACT - BeCu TIN PLATED

**SPECIFICATIONS**

- WITHSTAND VOLTAGE: 2000V DC min
- MAXIMUM CURRENT: 5A
- TEMPERATURE RANGE: -10°C TO +70°C
- LIFE (MINIMUM): 5,000+ OPERATIONS
- CONTACT RESISTANCE <50mΩ

**RoHS**  
COMPLIANT

**TOLERANCE**  
NO DEC. PLACE ± 0.50  
1 DEC. PLACE ± 0.20  
2 DEC. PLACE ± 0.10  
HOLE Ø ± 0.10  
ANGLES ± 1/2°  
UNLESS OTHERWISE STATED

**FOR INITIAL TOOLING  
AND PRE-PRODUCTION  
ONLY.**

**Cliff Electronic Components Ltd.**

76 Holmethorpe Avenue, Holmethorpe Industrial Estate,  
Redhill, Surrey, RH1 2PF, England, UK  
Tel: 01737-771375 Fax: 01737-766012 Website: www.cliffuk.co.uk

THE CONTENTS OF THIS DOCUMENT MUST NOT BE COPIED OR DISCLOSED TO A 3rd PARTY WITHOUT WRITTEN PERMISSION OF CLIFF UK. © 2010

DIMENSIONS IN MILLIMETERS UNLESS OTHERWISE STATED, WORK TO DIMENSIONS, REMOVE ALL BURRS, IF IN DOUBT ASK.

3rd ANGLE PROJECTION:

DO NOT SCALE

MATERIAL: SEE NOTE

FINISH: CLEAN

DRAWN: T.J.O.

APPROVED: D.P.J.

TITLE: S26/BBB STEREO MINIJACK 6mmPCB

DRWG. No. **FCR1295**

FORM: A4DRWGH