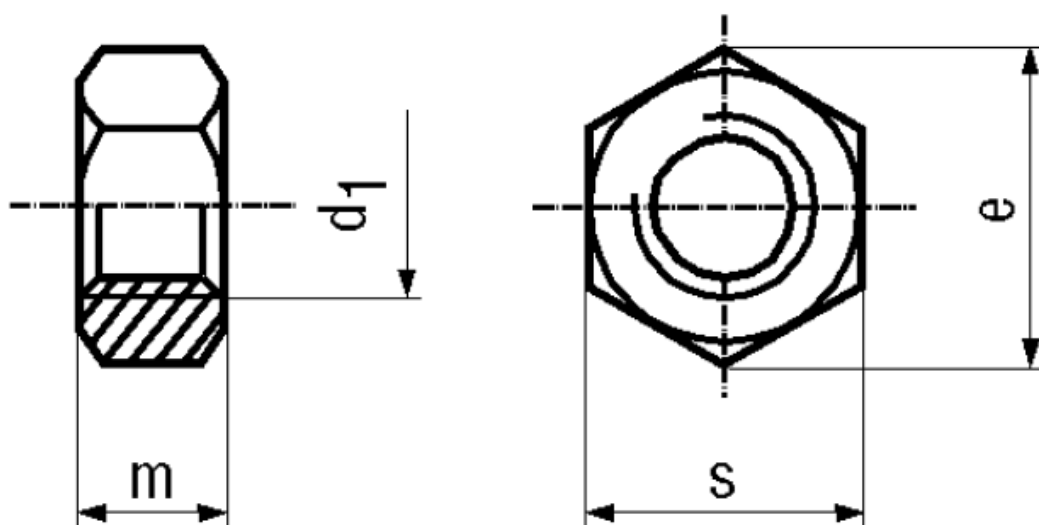


BN 135 - DIN 934 - ~ISO 8673

Hexagon nuts ~0,8d
metric fine thread

DIN 934
~ISO 8673
~UNI 5588



Material	Steel	Quality	cl. 6
Surface	zinc plated blue		

Article No. - 1091921	
d_1	M3x0,35
e min.	6,01
s	5,5
m max.	2,4

DIN 934: Standard withdrawn