

**Technical data // P25SMT 1 01 TR**

Rotary Code Switch

SMT Gull Wing Surface Mount Technology

**Highlights**

2.5 mm height

7.0 mm length

Lateral C-contact

Contacts with abrasion resistant hard gold plating

Solid, tinned PCB pins

**Mechanical Data**

Type	horizontal
Fixation mode	SMT
Height	2.5 mm
Length	6.0 mm
Width	7.0 mm
Pin connection	3+3
Perm. ambient temperature	-50 °C ... +125 °C
Perm. storage temperature	-55 °C ... +135 °C
Torque	initial min. 0.7 Ncm
Mechanical lifetime	2.500 steps
Positions per rotation	10 / 16
Shock and vibration testing	acc. IEC 60068
Humidity	21 days at 40 °C, 93 %RH
Reflow soldering	10 s / 260 °C
Iron soldering	2 s / 340 °C

**Electrical Data**

Operating voltage	$\leq 42.0$ V
Standby current	$\leq 0.4$ A
Contact load, dynamic	$\leq 0.1$ A
Minimum load	1.0 $\mu$ A 20mVDC
Test voltage	250.0 V 50 Hz / 1.0 min
Contact resistance	$< 80.0$ mOhm
Insulation resistance	$> 100.0$ MOhm



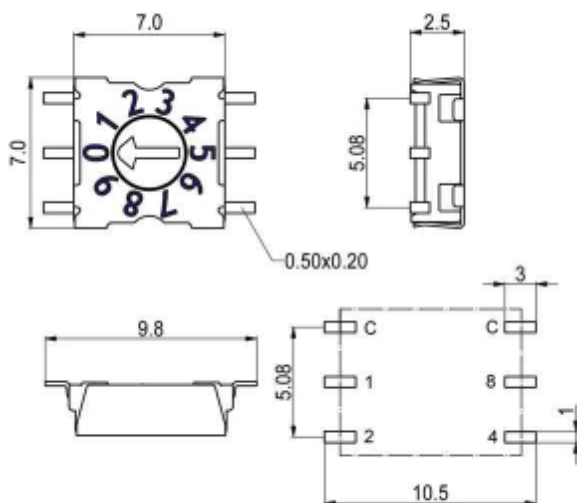
Technical data

**// P25SMT 1 01 TR**

Rotary Code Switch

SMT Gull Wing Surface Mount Technology

Technical Drawing



Configuration

Actuators



Arrow-shaped slot



Technical data

**// P25SMT 1 01 TR**

Rotary Code Switch

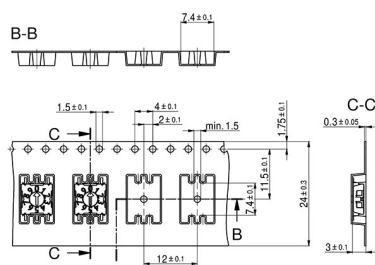
SMT Gull Wing Surface Mount Technology

Codes

BCD Typ 01					
	C	1	2	4	8
0	●				
1	●	●			
2	●		●		
3	●	●	●		
4	●			●	
5	●	●		●	
6	●		●	●	
7	●	●	●	●	
8	●				●
9	●	●			●

Packing

BCD, 10



Tape on Reel Packing