



LogiLink®

Aluminum Monitor Desk
Mount with Gas Spring
For 17"-32" Flat & Curved Monitor

Art. No.: BP0087

Allows you to tilt, rotate and swivel
monitor for the best viewing position.



RoHS
compliant



*The specifications and pictures are subject to change without prior notice.
*All trade names referenced are the registered trademarks of their respective owners.



BP0087



4 052792 058062

Made in China

Best Connectivity

LogiLink®

Aluminum Monitor Desk Mount with Gas Spring For 17"-32" Flat & Curved Monitor

Art. No.: BP0087



Quick-Release VESA Plate

Effortless monitor installation and removal.



Fits Desk with a Hole



Built-in Spring Gauge

Adjusted to fit various monitor weights.



Non-Skid Silicone Pads

Protect desktop from scratches or scuffs.



Clamp Mount



Grommet Mount



BP0087



Made in China



RoHS compliant



*The specifications and pictures are subject to change without prior notice.
*All trade names referenced are the registered trademarks of their respective owners.

LogiLink®

Aluminum Monitor Desk Mount with Gas Spring For 17"-32" Flat & Curved Monitor

Art. No.: BP0087



Specifications:

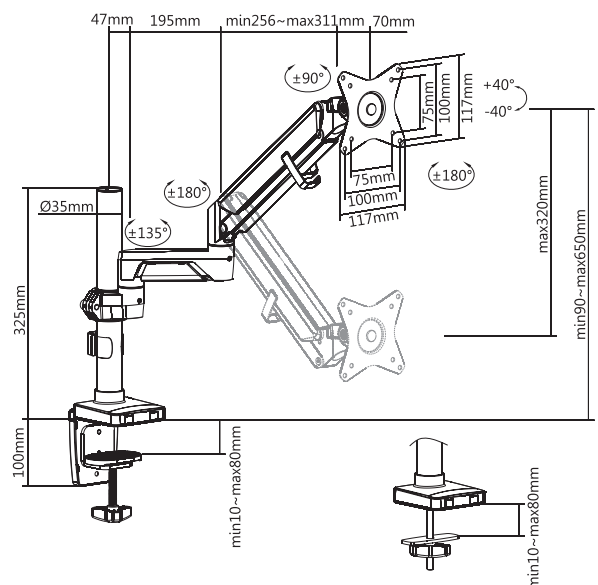
Screen Size	17"-32"
Weight Capacity	1-9kg per screen
VESA	75x75, 100x100
Material	Aluminum, Plastic, Steel
Arm Extension	553mm
Pole Height	325mm
Tilt Range	-40°~40°
Swivel Range	-90°~90°
Screen Rotation	-180°~180°
Desktop Thickness	Grommet: 10-80mm Clamp: 10-80mm
Quick Release VESA Plate	Yes
Cable Management	Yes
Dimension	117 x 612 x 830mm

Package Contents:

- » 1 x Aluminum Monitor Desk Mount
- » 1 x Screw Package
- » 1 x User Manual

Package Information:

- » Packing Dimension: mm
- » Packing Weight: kg
- » Carton Dimension: mm
- » Carton Q'ty: pcs
- » Carton Weight: kg



BP0087



Made in China



RoHS
compliant



*The specifications and pictures are subject to change without prior notice.
*All trade names referenced are the registered trademarks of their respective owners.