

## Basic ejector

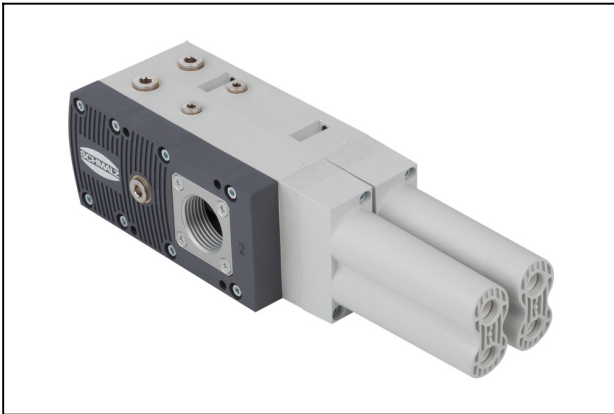
### SBPL 75 HV

Part no.:10.02.01.01649

<https://www.schmalz.com/10.02.01.01649>

Homepage > Vacuum Technology for Automation > Vacuum Components > Vacuum Generators > Basic Ejectors > Basic Ejectors SBPL > SBPL 75 HV

## Basic ejector with maximum suction capacity



Size: 75

Design: High vacuum

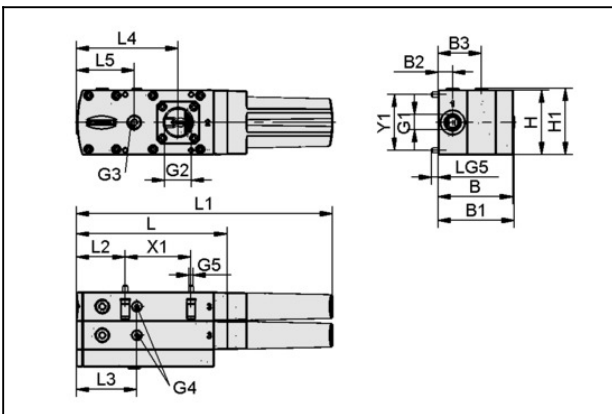
Suction rate (max): 720 l/min

Air consumption (during evac.):

305 l/min

Weight: 1.1 kg

## Design Data



Attribute	Value
B	83 mm
B1	85 mm
B2	16 mm
B3	48 mm
G1	G3/8"-IG
G2	G1"-F
G3	G1/4"-F
G4	G1/8"-F
G5	M5-M
H	72 mm
H1	74 mm
L	167.5 mm
L1	285.3 mm

# Basic ejector

## SBPL 75 HV

Part no.:10.02.01.01649

<https://www.schmalz.com/10.02.01.01649>



Attribute	Value
L2	54 mm
L3	67 mm
L4	113 mm
L5	64 mm
LG5	8.5 mm
X1	73.5 mm
Y1	62 mm

---

### Technical Data

Attribute	Value
Size	75
Degree of evacuation	90 %
Max. vacuum	900 mbar
Suction rate (real)	720 l/min
Suction rate (theo)	990 l/min
Suction rate (real)	43.2 m <sup>3</sup> /h
Suction rate (theo)	59.4 m <sup>3</sup> /h
Air consumption suction	305 l/min
Air consumption suction	18.75 m <sup>3</sup> /h
Sound level free	68 dB(A)
Sound level suction	62 dB(A)
Pressure range (operating pressure)	2.0 ... 6.0 bar
Pressure range (operating pressure)	29.0...87.0
Recomm. internal hose diameter compressed air	9 mm
Recomm. internal hose diameter vacuum	32 mm

## Basic ejector

### SBPL 75 HV

Part no.:10.02.01.01649

<https://www.schmalz.com/10.02.01.01649>

Attribute	Value
Weight	1.1 kg
Operating temperature	0 ... 60 °C
Max. vacuum	26.577 inHg

## Spare Parts



### SEP HV 3 16 22

Part no.10.02.01.01397

Multistagenozzle as a cartridge

Design: High vacuum

Number of stages: 3

Nozzle size: 1,6 mm

Hole diameter: 22 mm

Degree of evacuation: 90 %

Pressure range (operating pressure):

2.0 ... 6.0 bar

Pressure optimal: 4 bar

Suction rate (max): 308.8 l/min

Air consumption (during evac.):

103 l/min



### ERS-SET SEP-22 6xRUE-KLAP

Part no.10.02.01.01450

Set of spare parts

for: Ejector module

Size: 22

contains: 6x Non-return flap

## Accessories

## Basic ejector

### SBPL 75 HV

Part no.:10.02.01.01649

<https://www.schmalz.com/10.02.01.01649>



#### VAM 40 V DR

Part no.10.07.02.00035

Vacuum gauge (manometer) for analogue measurement and monitoring of the vacuum

External diameter D: 40 mm

Measuring range: -1.00 ... 0.00 bar

Shape: With sealing ring

Vacuum connection: G1/8"-M



#### VAM-D 30x30 VP10 G1/8-AG

Part no.10.07.02.00055

Vacuum gauge (manometer) for measurement and monitoring of the vacuum

Length L: 30 mm

Width B: 30 mm

Measuring range: -1.0 ... 10.0 bar

Vacuum connection: G1/8"-M



#### VSi V M12-4

Part no.10.06.02.00570

Vacuum and pressure switch with two digital output signals and IO-Link function

Measuring range: -1...0 bar

Electrical connection:

Male connect M12, 4 pol

Indication: LED

Protection: IP 65

## Basic ejector

### SBPL 75 HV

Part no.:10.02.01.01649

<https://www.schmalz.com/10.02.01.01649>



#### VSi V D M12-4

Part no.10.06.02.00580

Vacuum and pressure switch with two digital output signals and IO-Link function

Measuring range: -1...0 bar

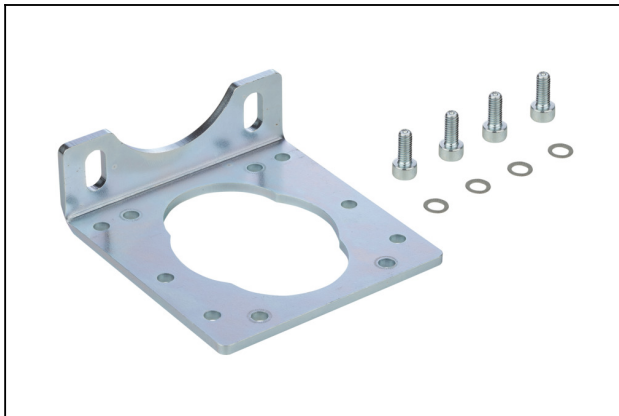
Type: with display

Electrical connection:

Male connect M12, 4 pol

Indication: 2xLED

Protection: IP 65



#### BEF-WIN 72x25x77 SBPL

Part no.10.02.01.01705

Mouting bracket (inst.)

Length L: 72 mm

Width B: 25 mm

Height H: 77 mm

for: Basic ejectors



#### EMV 3 24V-DC 2/2 NC K-2P

Part no.10.05.01.00366

Solenoid valve EMV for direct control of compressed air

Nominal size: 3 mm

Voltage: 24V - DC

Function: 2/2-way valve

Control: Normally closed

Connecting thread: G1/4"-M

contains: Cable 2

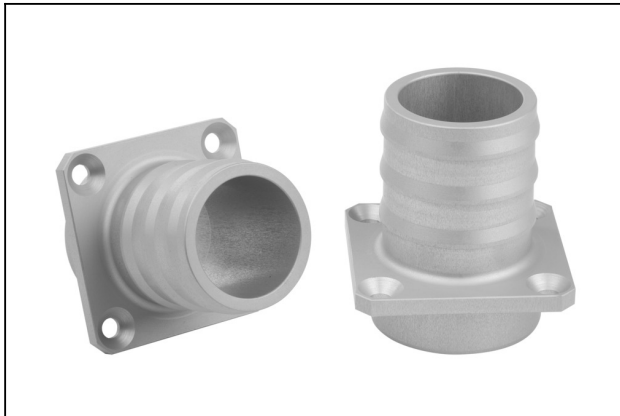
Cable length: 3 m

## Basic ejector

### SBPL 75 HV

Part no.:10.02.01.01649

<https://www.schmalz.com/10.02.01.01649>



#### ST 32 AL-EL

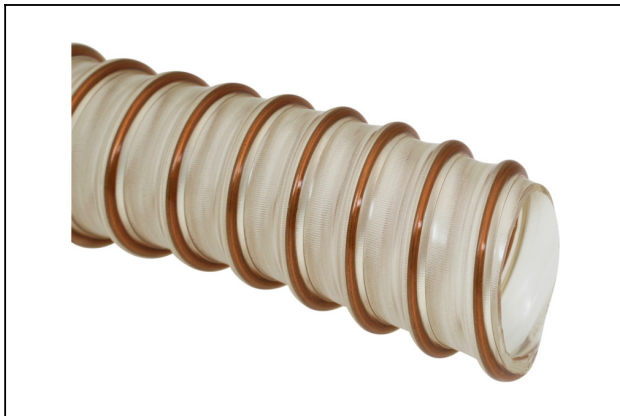
Part no.10.02.01.01681

Hose sleeve

Internal hose diameter: 32 mm

Material: Aluminium

Surface: anodized



#### VSL 42-32 PU-DS-AS

Part no.10.07.09.00036

Hose for vacuum and compressed-air systems

External diameter D: 42 mm

Internal diameter d: 32 mm

Length (max): 20 m

Material: PU, wire spiral, antistat

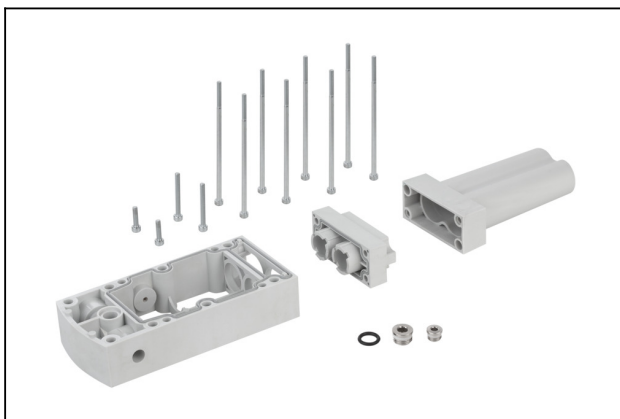
Installation radius (min): 25 mm

Colour: Transparent

Pressure range (operating pressure):

-1.00 ... 3.77 bar

Ambient temperature: -40 ... 90 °C



#### SET SBPL 125/150

Part no.10.02.01.01686

Retrofit kit

for: Basic ejectors

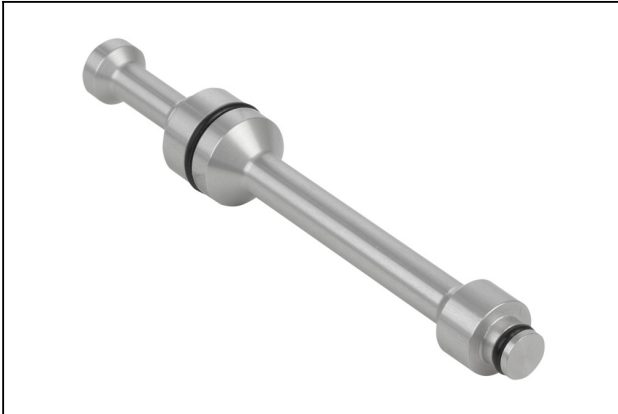
Size: 125/150

## Basic ejector

### SBPL 75 HV

Part no.:10.02.01.01649

<https://www.schmalz.com/10.02.01.01649>



#### **VRS-ST 15x101.7 SBPL**

Part no.10.02.01.01687

Sealing plug - pre-assembly

External diameter D: 15 mm

Length L: 101.7 mm

for: Basic ejectors



#### **SEP HV 3 16 22**

Part no.10.02.01.01397

Multistagenozzle as a cartridge

Design: High vacuum

Number of stages: 3

Nozzle size: 1,6 mm

Hole diameter: 22 mm

Degree of evacuation: 90 %

Pressure range (operating pressure):

2.0 ... 6.0 bar

Pressure optimal: 4 bar

Suction rate (max): 308.8 l/min

Air consumption (during evac.):

103 l/min



#### **VFT G3/4-IG 100**

Part no.10.07.01.00129

Vacuum cup filter with transparent housing and replaceable filter

Connection: G3/4"-F

Shape: Long filter insert

Nominal flow rate: 46.2 m<sup>3</sup>/h

Filter pore size: 100 µm