

Vacuum block

VCBL-K2 125x75x100 L

Part no.:10.01.12.00506

<https://www.schmalz.com/10.01.12.00506>

Homepage > Vacuum Clamping Technology > Clamping Equipment for Woodworking > Clamping Equipment for 2-Circuit Systems > Vacuum Blocks VCBL-K2 > VCBL-K2 125x75x100 L

Vacuum block for Schmalz 2-circuit console

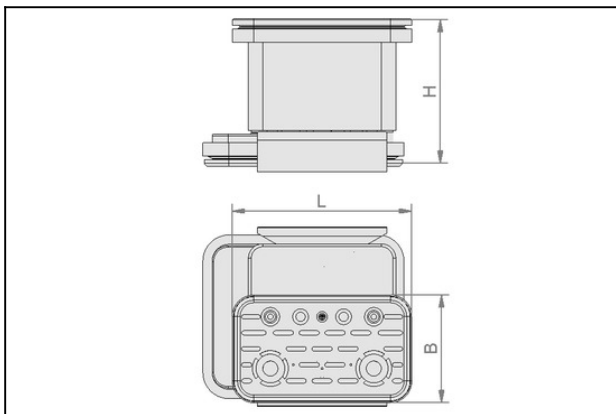


Dimensions (LxW): 125 x 75 mm

Height H: 100 mm

Arrangement: longways

Design Data



Attribute	Value
B	75 mm
H	100 mm
H2	63 mm
L	125 mm
L1	145 mm
L2	20.5 mm

Technical Data

Attribute	Value
Weight	0.63 kg

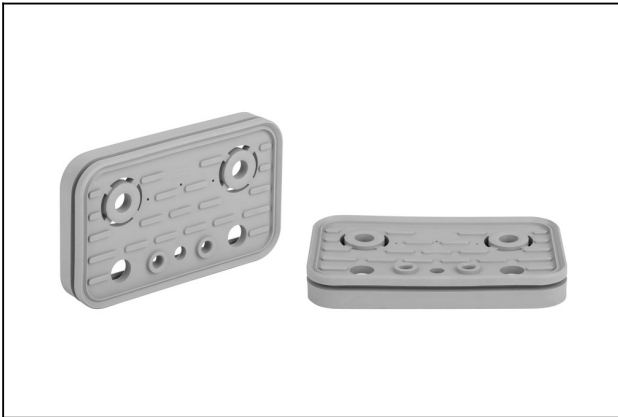
Vacuum block

VCBL-K2 125x75x100 L

Part no.:10.01.12.00506

<https://www.schmalz.com/10.01.12.00506>

Spare Parts



VCSP-O 125x75x16.5

Part no.10.01.12.00011

Suction-Plate for vacuum block, (top)

Dimensions (LxW): 125 x 75 mm

Height H: 16.5 mm



VCSP-U 140x115x16.5 VCBL-K2

Part no.10.01.12.00798

Suction plate for vacuum block bottom

Dimensions (LxW): 140 x 115 mm

Height H: 16.5 mm

for: Vacuum block VCBL-K2