

## Bell suction cup (round)

FSGA 22 HT1-60 G1/8-AG

Part no.:10.01.06.01230

<https://www.schmalz.com/10.01.06.01230>

Homepage > Vacuum Technology for Automation > Vacuum Components > Vacuum Suction Cups > Bellows Suction Cups (Round) > Bellows Suction Cups FSGA (1.5 Folds) > FSGA 22 HT1-60 G1/8-AG

### Bellows suction cup (round) with optimal adaptation to uneven surfaces



Size: 22

Number of folds: 1.5

Suction cup material:

High temp material HT1

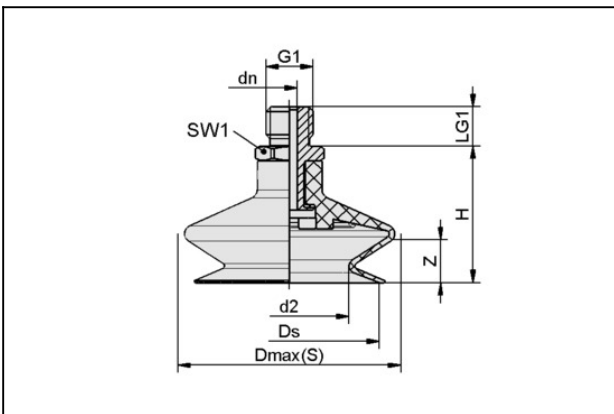
Material hardness: 60 °Sh

Material property: imprint-free

Nipple material: Aluminium

Vacuum connection: G1/8"-M

### Design Data



Attribute	Value
d2	11.7 mm
Dmax(S)	25 mm
dn	3.5 mm
Ds	21.5 mm
G1	G1/8"-AG
H	25 mm
LG1	7.5 mm
SW1	14 mm
Z (Stroke)	6 mm

### Technical Data

## Bell suction cup (round)

### FSGA 22 HT1-60 G1/8-AG

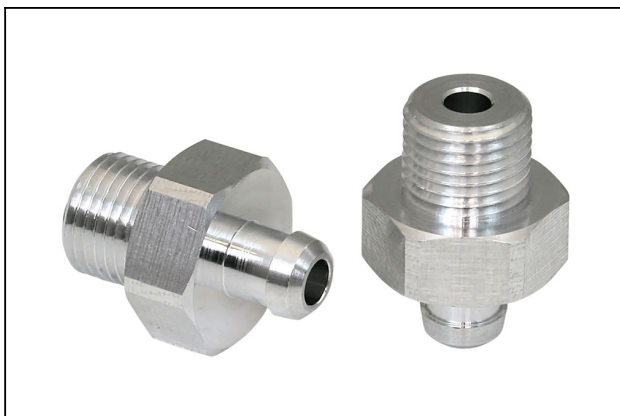
Part no.:10.01.06.01230

<https://www.schmalz.com/10.01.06.01230>

Attribute	Value
Suction cup material	High temp material HT1
Material hardness [Shore A]	60 Shore A
Size	22
Number of folds	1.5
Connection	G1/8-AG
Curve radius (min) (convex)	25 mm
Volume	1.4 cm <sup>3</sup>
Suction force (-600mbar)	5.7 N
Pull-off force	15.2 N
Hose diameter (empf.) d	4 mm
Weight	5.8 g
Product family	FSGA

Note: Suction force: The specified suction forces are theoretical values at a vacuum of -0.6 bar and with a smooth, dry workpiece surface - they do not include a safety factor Pull-off force: The pull-off force of the versions made of natural rubber is reduced by about 40% Hose diameter: The recommended hose diameter refers to a hose length of approx. 2 m

## Spare Parts



### SA-NIP N016 G1/8-AG DN350

Part no.10.01.06.05735

Suction cup connection nipple

Nipple: N 016

Thread G1: G1/8"-M

Overall length: 20 mm

Fitting length: 6 mm

Nominal size: 3,50 mm

Material: Aluminium

## Bell suction cup (round)

FSGA 22 HT1-60 G1/8-AG

Part no.:10.01.06.01230

<https://www.schmalz.com/10.01.06.01230>



### FGA 22 HT1-60 N016

Part no.10.01.06.01249

Bellows suction cup (round) with optimal adaptation to uneven surfaces

Size: 22

Suction cup material:

High temp material HT1

Material hardness: 60 °Sh

Number of folds: 1.5

Material property: imprint-free

## Accessories



### SPI 21 PEEK

Part no.10.01.06.03285

Suction cup insert for handling of sensitive workpieces without leaving marks

Size: 21

Material: Polyetheretherketon