

Bell suction cup (round)

FSGA 11 HT1-60 G1/8-AG

Part no.:10.01.06.01226

<https://www.schmalz.com/10.01.06.01226>

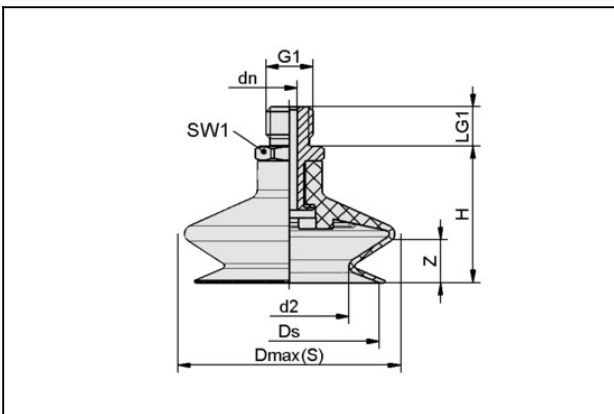
Homepage > Vacuum Technology for Automation > Vacuum Components > Vacuum Suction Cups > Bellows Suction Cups (Round) > Bellows Suction Cups FSGA (1.5 Folds) > FSGA 11 HT1-60 G1/8-AG

Bellows suction cup (round) with optimal adaptation to uneven surfaces



Size: 11
 Number of folds: 1.5
 Suction cup material:
 High temp material HT1
 Material hardness: 60 °Sh
 Material property: non-marking
 Nipple material: Aluminium
 Vacuum connection: G1/8"-M

Design Data



Attribute	Value
d2	5.1 mm
Dmax(S)	13 mm
dn	3.5 mm
Ds	10.4 mm
G1	G1/8"-AG
H	22 mm
LG1	7.5 mm
SW1	14 mm
Z (Stroke)	4 mm

Technical Data

Bell suction cup (round)

FSGA 11 HT1-60 G1/8-AG

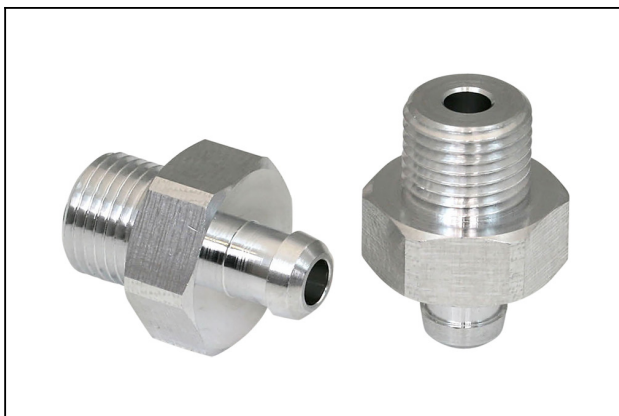
Part no.:10.01.06.01226

<https://www.schmalz.com/10.01.06.01226>

Attribute	Value
Suction cup material	High temp material HT1
Material hardness [Shore A]	60 Shore A
Size	11
Number of folds	1.5
Connection	G1/8-AG
Curve radius (min) (convex)	10 mm
Volume	0.225 cm ³
Suction force (-600mbar)	0.95 N
Pull-off force	3.8 N
Hose diameter (empf.) d	4 mm
Weight	4.7 g
Product family	FSGA

Note: Suction force: The specified suction forces are theoretical values at a vacuum of -0.6 bar and with a smooth, dry workpiece surface - they do not include a safety factor Pull-off force: The pull-off force of the versions made of natural rubber is reduced by about 40% Hose diameter: The recommended hose diameter refers to a hose length of approx. 2 m

Spare Parts



SA-NIP N016 G1/8-AG DN350

Part no.10.01.06.05735

Suction cup connection nipple

Nipple: N 016

Thread G1: G1/8"-M

Overall length: 20 mm

Fitting length: 6 mm

Nominal size: 3,50 mm

Material: Aluminium

Bell suction cup (round)

FSGA 11 HT1-60 G1/8-AG

Part no.:10.01.06.01226

<https://www.schmalz.com/10.01.06.01226>



FGA 11 HT1-60 N016

Part no.10.01.06.01247

Bellows suction cup (round) with optimal adaptation to uneven surfaces

Size: 11

Suction cup material:

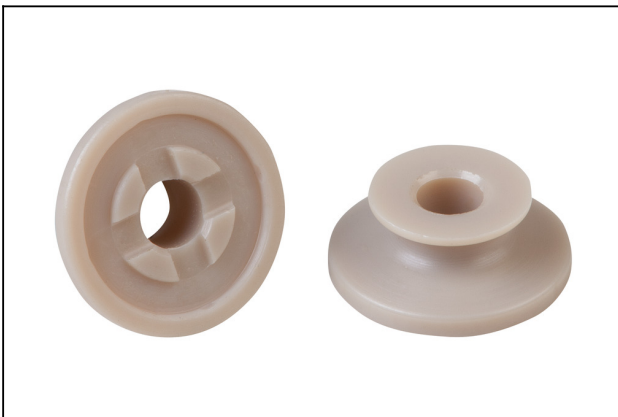
High temp material HT1

Material hardness: 60 °Sh

Number of folds: 1.5

Material property: imprint-free

Accessories



SPI 11 PEEK

Part no.10.01.06.03281

Suction cup insert for handling of sensitive workpieces without leaving marks

Size: 11

Material: Polyetheretherketon