

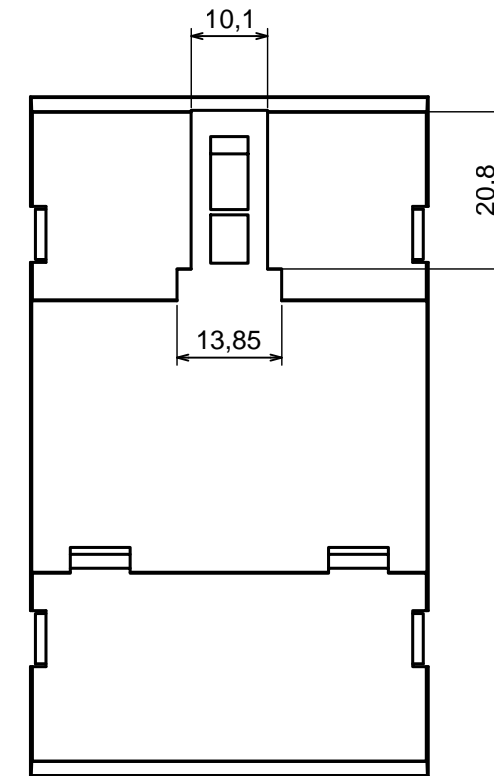
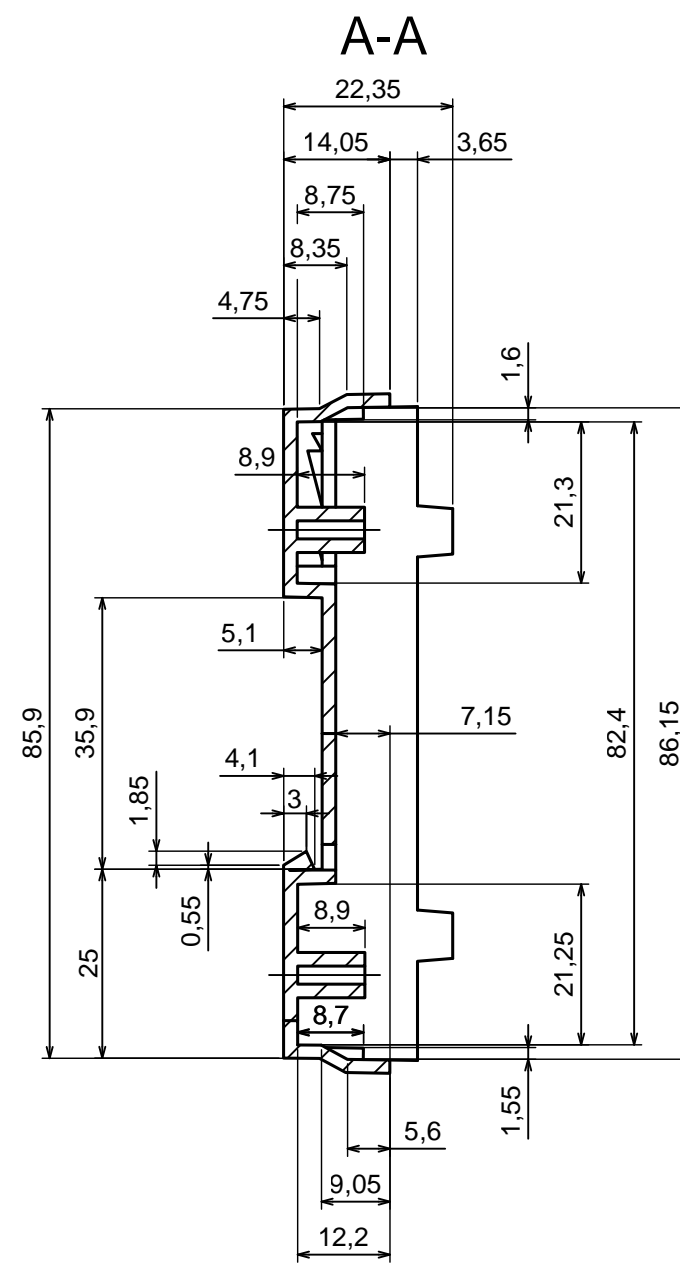
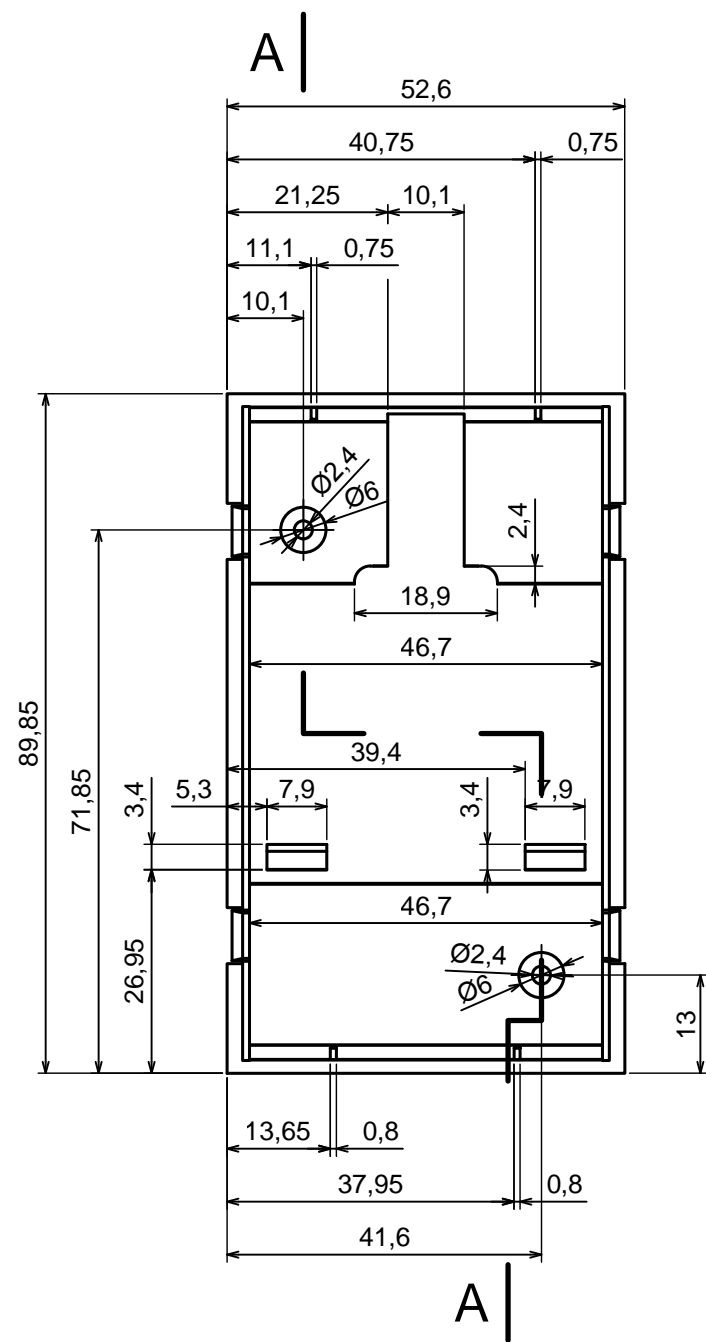
All rights reserved, Copyright Kradox 2016

Product model: Enclosure Z107 - Assembly

Format: A3 Material: PS, ABS

Scale 1:1 Tolerance: +/- 0.5





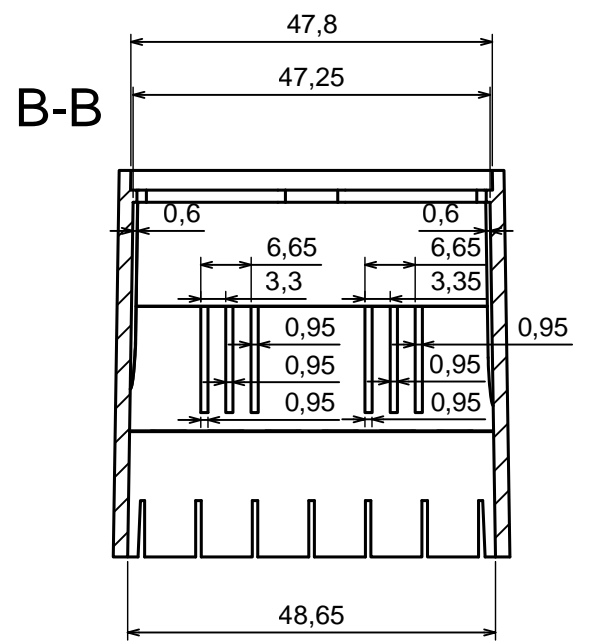
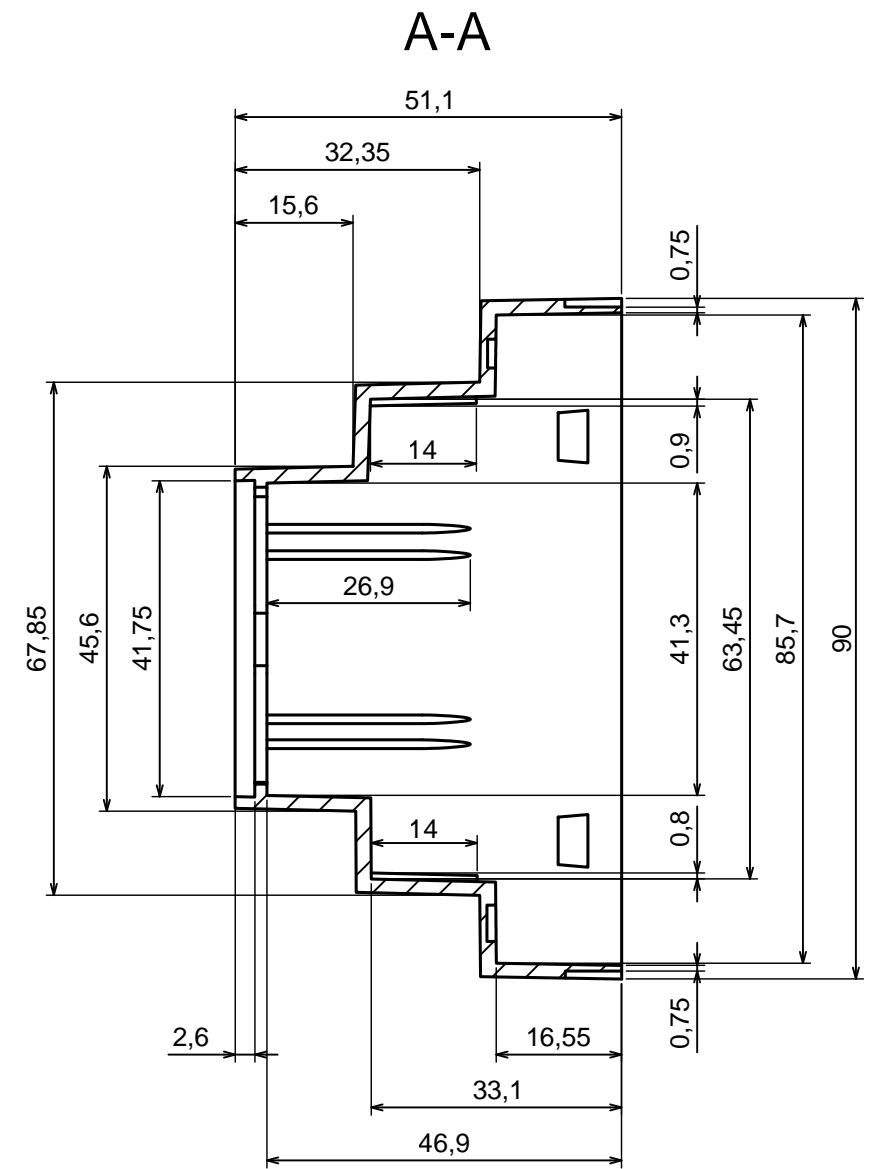
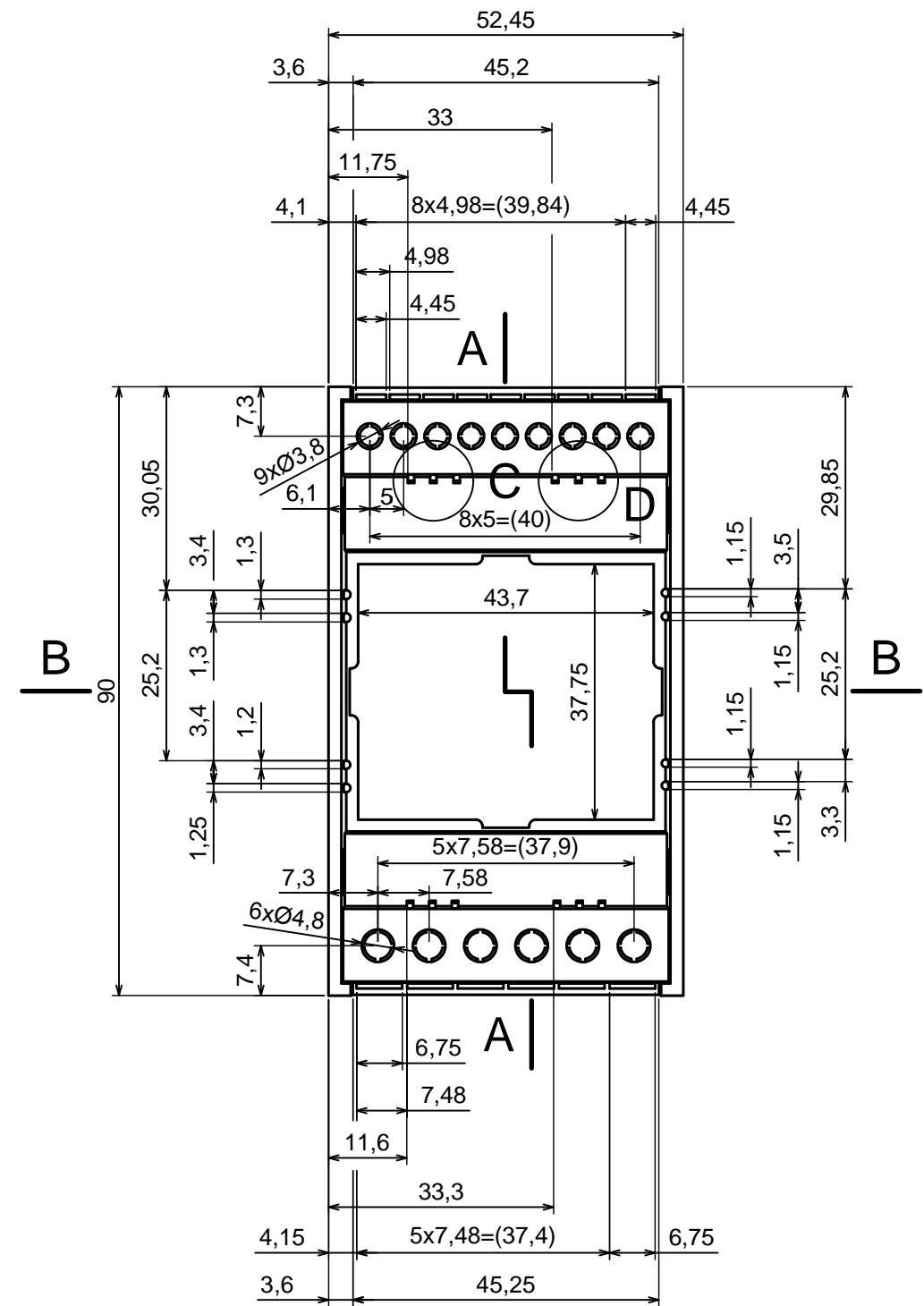
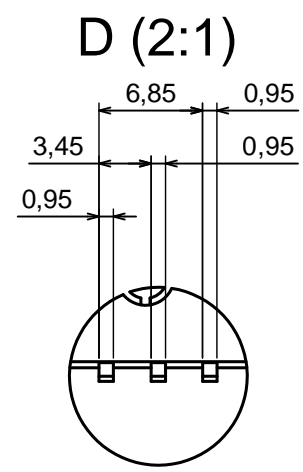
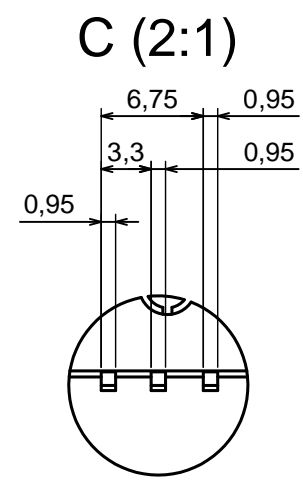
All rights reserved, Copyright Kradox 2016

Product model: Enclosure Z107 - Base

Format: A3 Material: PS, ABS

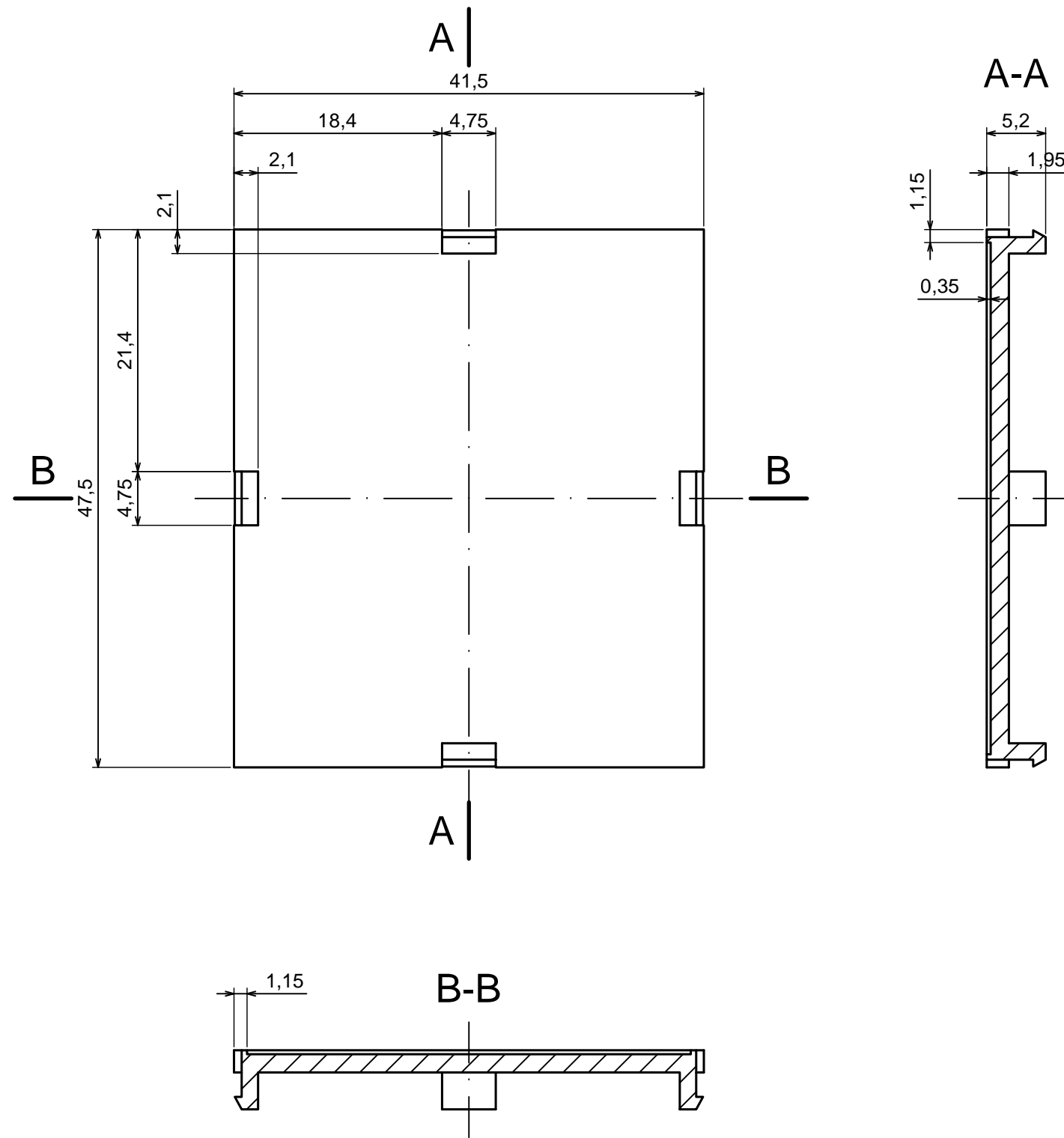
Scale 1:1 Tolerance: +/- 0.5





All rights reserved, Copyright Kradex 2016	
Product model:	Enclosure Z107 - Cover
Format: A3	Material: PS, ABS
Scale 1:1	Tolerance: +/- 0.5





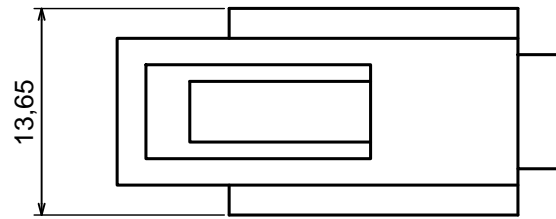
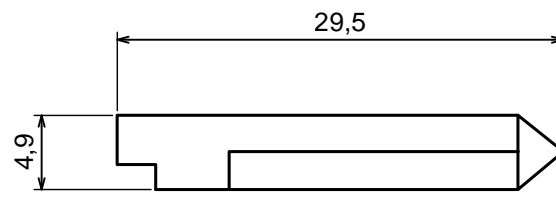
All rights reserved, Copyright Kradox 2016

Product model: Enclosure Z107 - Filter

Format: A3 Material: PS, ABS

Scale 2:1 Tolerance: +/- 0.5





All rights reserved, Copyright Kradox 2016

Product model: Enclosure Z107 - Hook

Format: A3 Material: PS, ABS

Scale 2:1 Tolerance: +/- 0.5

