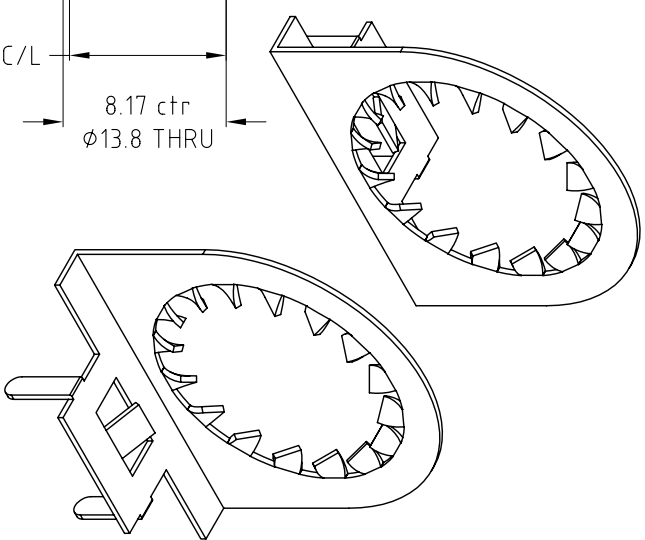


DETAIL B
TEETH TWISTED 45°
SCALE 2.5/1



ISS.	AMEND	DATE
1	1 st DRAWN	05/04/94
2	TEETH CHANGE	28/06/94
3	PCB: 4mm WAS 5mm	30/06/94
4	16 TEETH WAS 20	06/07/94
5	Ø11.0 WAS Ø10.8	14/07/94
6	SEE MOD 02/14	12/08/95
7	WAS CL1422	07/04/05
8	UPDATED	11/06/05
9	Ø11.2 WAS Ø11 REDRAWN	12/07/11

ROHS COMPLIANT

TOLERANCE
NO DEC. PLACE ±0.25
1 DEC. PLACE ±0.10
2 DEC. PLACE ±
HOLE Ø ±
ANGLES ±1/2°
UNLESS OTHERWISE STATED

Cliff Electronic Components Ltd.
76 Holmehope Avenue, Holmehope Industrial Estate,
Redhill, Surrey, RH1 2PF, England, UK
Tel: 01737-771375 Fax: 01737-766012 Website: www.cliffuk.co.uk

DIMENSIONS IN MILLIMETERS UNLESS OTHERWISE STATED. WORK TO DIMENSIONS. REMOVE ALL BURRS. IF IN DOUBT ASK. 3rd ANGLE PROJECTION:

MATERIAL: SPRING STEEL 0.32mm THK
FINISH: TIN PLATED (MUST BE SOLDERABLE)

DRAWN: C.A.M.J. APPROVED: R.W.T.

TITLE: EARTHING WASHER FOR S2/S4 JSKT (2 PIN TYPE)
DRWG. No. FCR14422

DO NOT SCALE
FORM: A4DRWGH

THE CONTENTS OF THIS DOCUMENT MUST NOT BE COPIED OR DISCLOSED TO A 3rd PARTY WITHOUT WRITTEN PERMISSION OF CLIFF UK. © 1994