




Product information RMC 280

Industrial Connecting Solutions:Rectangular Connectors:Valve Connectors (Type A -B -C):Accessories:Crimp method:RMC 280

<http://www.e-catalog.beldensolutions.com/link/57078-24228-256261-256266-24328-24329-35576/en/conf/ui/state>

Name	RMC 280
	
	engaging crimp contact (blade contact),suitable for G-series connectors
Delivery informations	
Availability	available
Product description	
Description	engaging crimp contact (blade contact), suitable for G-series connectors
Type	RMC 280
Order No.	731 991-021
Conductor size	0.5 mm ² to 1 mm ² (B0 crimp)
Material	
Contact material	CuZn
Contact surface material	Sn
Packing unit	
Packing unit	100 pieces
Scope of delivery and accessories	
Accessories to order separately	suitable for G-series; suitable crimping tool (pliers): XZC 0702, Order-no. 932 507-003



HIRSCHMANN

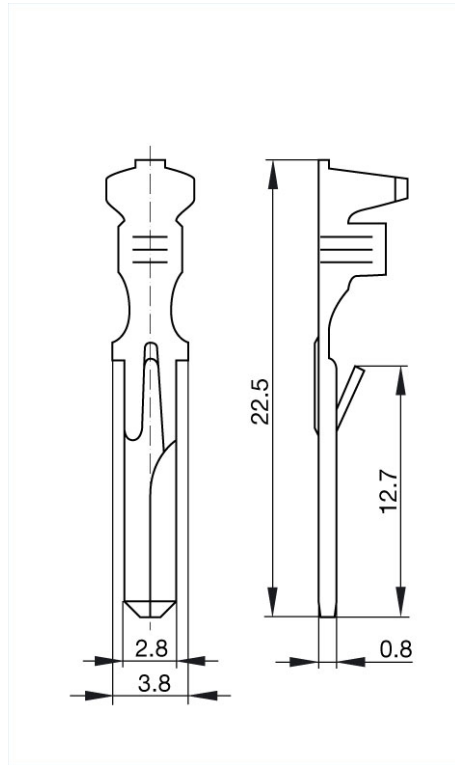
A BELDEN BRAND

Industrial Connecting Solutions:Rectangular Connectors:Valve Connectors (Type A -B -C):Accessories:Crimp method:RMC 280

<http://www.e-catalog.beldensolutions.com/link/57078-24228-256261-256266-24328-24329-35576/en/conf/ui/state>

Picture

Drawing



Belden Deutschland GmbH

Im Gewerbepark 2

58579 Schalksmühle

Germany

Phone: +49 7127/14-1806

E-Mail: icos-sales@belden.com

The information published in the websites has been compiled as carefully as possible. It is subject to alteration without notice in technical as well as in price-related/commercial respect. The complete information and data were available on user documentation. Mandatory information can only be obtained by a concrete query.