

# HC-STA-B16-SLWS-2SSP21-ELC-AL - Housing



1412863

<https://www.phoenixcontact.com/pl/produkty/1412863>

Please be informed that the data shown in this PDF document is generated from our online catalog. Please find the complete data in the user documentation. Our general terms of use for downloads are valid.



Surface mounting housing B16, with single locking latch, material: Die-cast aluminum, salt water resistant, cable outlets: 2, lateral, 2x Pg21, height: 68 mm, cable gland: none, Standard

## Your advantages

- Good shielding in the event of electromagnetic interference

## Commercial data

Item number	1412863
Packing unit	1 pc
Minimum order quantity	1 pc
Sales key	BF7APB
Product key	AF7APB
GTIN	4055626061122
Weight per piece (including packing)	303.2 g
Weight per piece (excluding packing)	297.49 g
Customs tariff number	85389099
Country of origin	PL

## Technical data

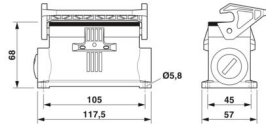
### Notes

General	For contact inserts HC-B16, BB32, D40, DD72, HS6, HV6, M, K
General	also available as a powder-coated or color version: 1372637 HC-STA-B16-SLWS-2SSP21-EL/.../...

### Product properties

Product type	Housing with locking latch
Housing type	Surface mounting housing
Application	Standard
Type	B16
No. of cable outlets	2
Type of the screw connection	2x Pg21
Cable outlet	lateral
Pg screw connection	none

### Dimensions

Dimensional drawing	
Width	57 mm
Height	68 mm
Length	117.5 mm
Hole diameter	5.5 mm

### Material specifications

Flammability rating according to UL 94	V0 (Interlock)
Seal material	NBR, conductive
Housing material	Die-cast aluminum, salt water resistant
Housing surface material	uncoated
Locking latch material	PA

### Mechanical properties

#### Mechanical data

Type of the screw connection	2x Pg21
Locking type	Latch

### Connection data

Tightening torque	2 Nm ... 3 Nm (for M5 mounting screws on the surface-mount housing)
-------------------	---

1412863

<https://www.phoenixcontact.com/pl/produkty/1412863>

## Mounting

Assembly note	One opening is sealed with a plastic filler plug and can be opened using a screwdriver.
---------------	---

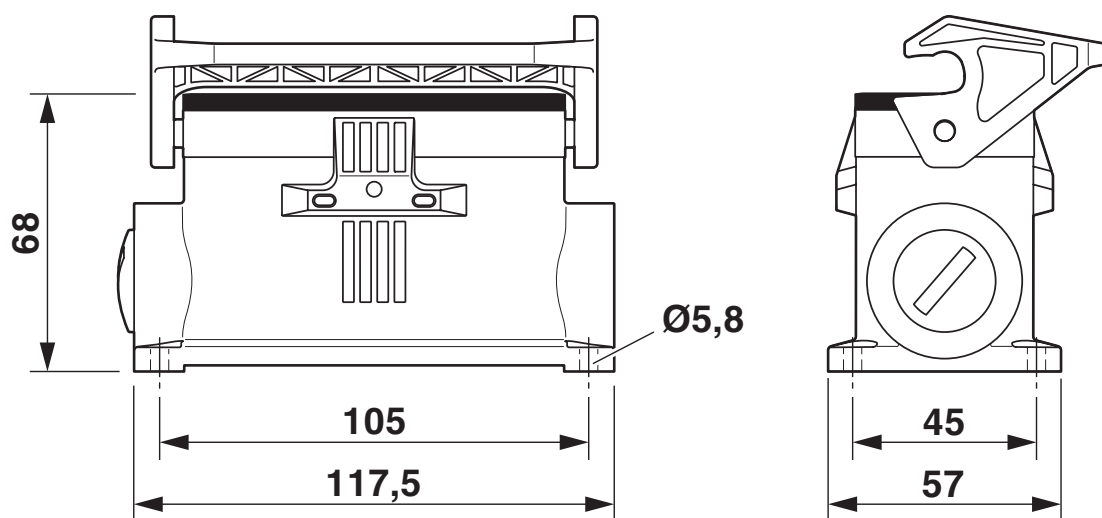
## Environmental and real-life conditions

### Ambient conditions

Degree of protection	IP66
	IP67
Enclosure rating (NEMA)	4 (UL 50e)
	4X (UL 50e)
	12 (UL 50e)
Impact strength	IK08
Ambient temperature (operation)	-40 °C ... 125 °C

## Drawings

Dimensional drawing



Dimensional drawing

1412863

<https://www.phoenixcontact.com/pl/produkty/1412863>

## Approvals

To download certificates, visit the product detail page: <https://www.phoenixcontact.com/pl/produkty/1412863>

**DNV**

Approval ID: TAE000037S



**cUL Recognized**

Approval ID: E255026



**UL Recognized**

Approval ID: E255026



**EAC**

Approval ID: RU C-DE.AI30.B.01102

1412863

<https://www.phoenixcontact.com/pl/produkty/1412863>

## Classifications

### ECLASS

ECLASS-13.0	27440202
ECLASS-15.0	27440202

### ETIM

ETIM 9.0	EC000437
----------	----------

### UNSPSC

UNSPSC 21.0	31261500
-------------	----------

1412863

<https://www.phoenixcontact.com/pl/produkty/1412863>

## Environmental product compliance

### EU RoHS

Fulfills EU RoHS substance requirements	Yes, No exemptions
---	--------------------

### China RoHS

Environment friendly use period (EFUP)	EFUP-E
	No hazardous substances above the limits

### EU REACH SVHC

REACH candidate substance (CAS No.)	No substance above 0.1 wt%
-------------------------------------	----------------------------

### EF3.0 Climate Change

CO2e kg	5.371 kg CO2e
---------	---------------

1412863

<https://www.phoenixcontact.com/pl/produkty/1412863>

## Accessories

### G-INS-PG21-M68N-NNES-S - Cable gland

1411175

<https://www.phoenixcontact.com/pl/produkty/1411175>



Cable gland, material for screw connection: Brass, nickel-plated, application: Standard, external cable diameter 13 mm ... 18 mm, shielding: no, connecting thread: Pg21, color: silver-colored, with O-ring

---

### G-INSEC-PG21-M68N-NNES-S - Cable gland

1411200

<https://www.phoenixcontact.com/pl/produkty/1411200>



Cable gland, material for screw connection: Brass, nickel-plated, application: EMC, external cable diameter 13 mm ... 18 mm, shielding: yes, connecting thread: Pg21, color: silver-colored, with O-ring



# HC-STA-B16-SLWS-2SSP21-ELC-AL - Housing

1412863

<https://www.phoenixcontact.com/pl/produkty/1412863>

## HC-B16-SP-CBK - Profile gasket

1411480

<https://www.phoenixcontact.com/pl/produkty/1411480>



Profile gasket for HEAVYCON EVO supporting base element type B16, conductive

---

## HC-STA-B16-SL-PLBK - Housing brackets

1412284

<https://www.phoenixcontact.com/pl/produkty/1412284>



Single locking latch for B16 housing, HC-EVO....AL and HC-STA....AL

# HC-STA-B16-SLWS-2SSP21-ELC-AL - Housing

1412863

<https://www.phoenixcontact.com/pl/produkty/1412863>



## HC-B16-BC-HI-PLBK - Protective cover

1407694

<https://www.phoenixcontact.com/pl/produkty/1407694>

Protective cover B16, for single locking latch, protective cover material: PC, height: 19 mm, seal: no



---

## HC-STA-B16-DC-PL - Protective cover

1421102

<https://www.phoenixcontact.com/pl/produkty/1421102>

Protective cover, design: B16



# HC-STA-B16-SLWS-2SSP21-ELC-AL - Housing

1412863

<https://www.phoenixcontact.com/pl/produkty/1412863>

## WP-G HF IP66 PG21 BK - Protective hose screw connection

3240892

<https://www.phoenixcontact.com/pl/produkty/3240892>

Cable gland, Pg thread, IP66 protection, straight



---

## WP-G HF IP69K PG21 BK - Protective hose screw connection

3240878

<https://www.phoenixcontact.com/pl/produkty/3240878>

Cable gland, Pg thread, IP68/69k protection, straight



# HC-STA-B16-SLWS-2SSP21-ELC-AL - Housing

1412863

<https://www.phoenixcontact.com/pl/produkty/1412863>

## WP-GA HF IP66 PG21 BK - Protective hose screw connection

3240920

<https://www.phoenixcontact.com/pl/produkty/3240920>

Cable gland, Pg thread, IP66 protection, angled



---

## WP-GR HF IP66 PG21 BK - Protective hose screw connection

3240948

<https://www.phoenixcontact.com/pl/produkty/3240948>

Cable gland, Pg thread, IP66 protection, with strain relief



# HC-STA-B16-SLWS-2SSP21-ELC-AL - Housing

1412863

<https://www.phoenixcontact.com/pl/produkty/1412863>

## WP-GR HF IP69K PG21 BK - Protective hose screw connection

3240934

<https://www.phoenixcontact.com/pl/produkty/3240934>



Cable gland, Pg thread, IP68/69k protection, with strain relief

---

## WP-G PP HF PG21 - Protective hose screw connection

3240992

<https://www.phoenixcontact.com/pl/produkty/3240992>



Cable gland made from PP with Pg thread, IP65 protection

# HC-STA-B16-SLWS-2SSP21-ELC-AL - Housing

1412863

<https://www.phoenixcontact.com/pl/produkty/1412863>

## WP-GT PP HF PG21 - Protective hose screw connection

3241006

<https://www.phoenixcontact.com/pl/produkty/3241006>



Cable gland made from PP with Pg thread, rotatable, IP54 protection

---

## WP-G BRASS IP40 PG21 - Protective hose screw connection

3241041

<https://www.phoenixcontact.com/pl/produkty/3241041>



Cable gland made from brass with Pg thread, IP40 protection

# HC-STA-B16-SLWS-2SSP21-ELC-AL - Housing

1412863

<https://www.phoenixcontact.com/pl/produkty/1412863>

## WP-GT BRASS PG21 - Protective hose screw connection

3241027

<https://www.phoenixcontact.com/pl/produkty/3241027>

Cable gland made from brass with Pg thread, rotatable, IP40 protection



---

## WP-G BRASS IP65 PG21 - Protective hose screw connection

3241055

<https://www.phoenixcontact.com/pl/produkty/3241055>

Cable gland made from brass with Pg thread, IP65 protection



---

Phoenix Contact 2025 © - all rights reserved  
<https://www.phoenixcontact.com>

PHOENIX CONTACT Sp. z o.o.  
ul. Bierutowska 57-59, Budynek nr 3/A  
51-317 Wrocław  
71/ 39 80 410  
[pxcpl@phoenixcontact.pl](mailto:pxcpl@phoenixcontact.pl)