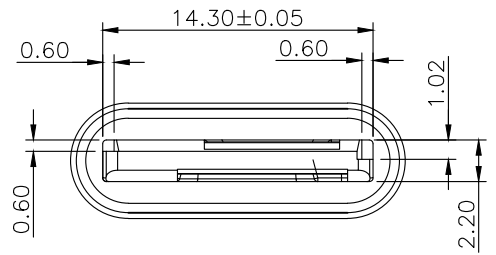
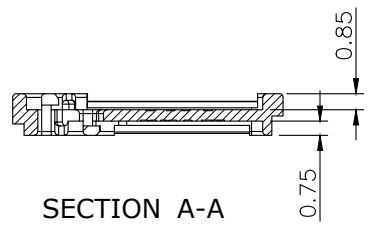
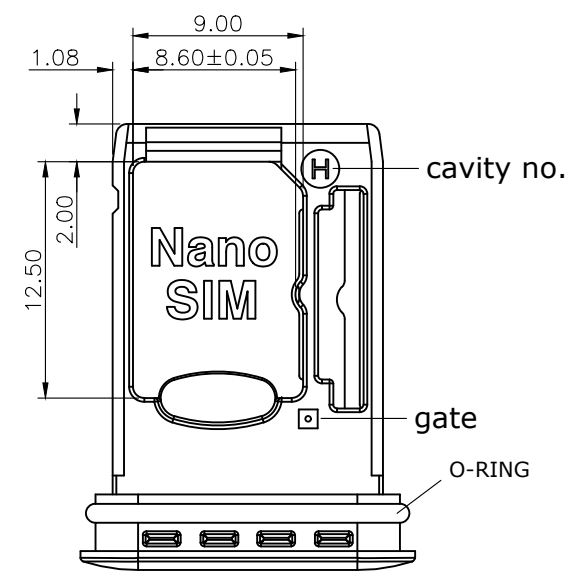
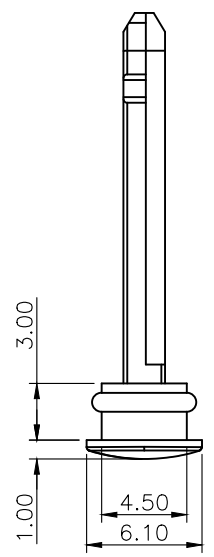
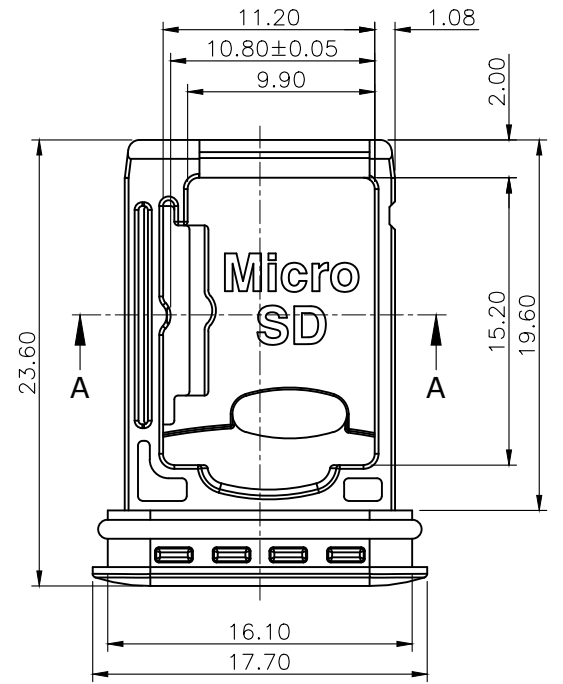


REV.	DESCRIPTION	DRAWN	DATE
1	INITIAL RELEASE	Michael	2025/04/01
2	Modified the shape and lengthened it by one mm	Fros	2025/07/14
3	Increase the thickness of the rib	FROS	2025/08/21



NOTE:
 1. MATERIAL: PBT 4130, UL 94V-0, Black
 2. Operating temperature: -40 to +105°C
 3. Packaging: 450pcs/bag



UNLESS OTHERWISE SPECIFIED TOLERANCE

UNIT:	DECIMAL	LINEAR	ANGLES
mm	X.	±0.50	±5°
	X.X	±0.25	±3°
	X.XX	±0.12	±1°



www.attend.com.tw

DRAWN	Michael	2025/04/01
CHECKED	Fros	2025/04/01
APPROVED	Ken	2025/04/01
SCALE	2.5/1	SHEET 1/1
		SIZE A4

DRAWN NAME:	
Card Tray for 115U-B210, Waterproof, Nano SIM & Micro SD, PBT, black, Bag, L=23.6	
PRODUCT NO.	115U-T019
FILE NAME	115U-T019_B_3