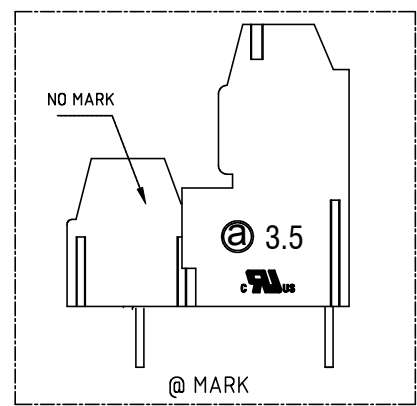
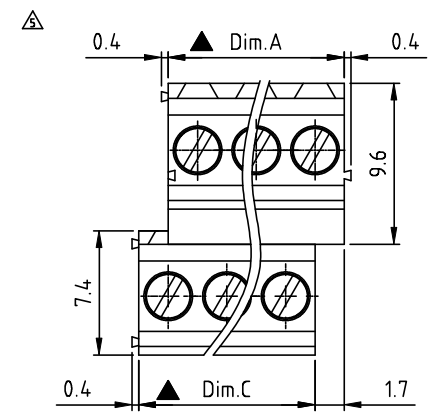


RoHS Compliant



Dim.A=N×3.5
Dim.B=(N-1)×3.5
Dim.C=N×3.5

N=1/2Number of poles

POLES	Dim.A&Dim.C TOL.
2×2p-2×6p	+0.15/-0.15
2×7p-2×12p	+0.20/-0.20
2×13p-2×18p	+0.25/-0.25
2×19p-2×24p	+0.30/-0.30

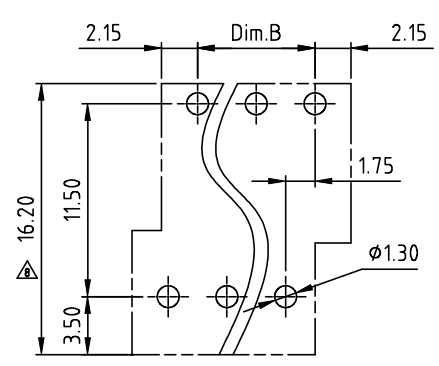
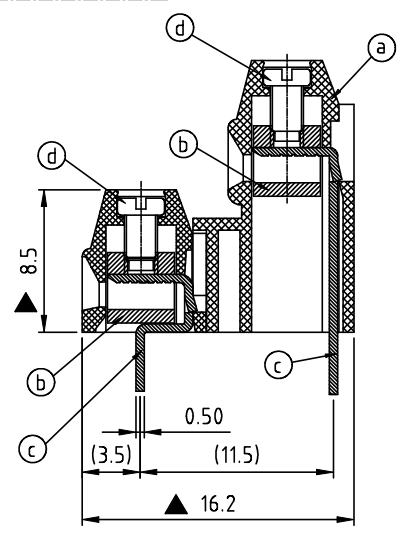
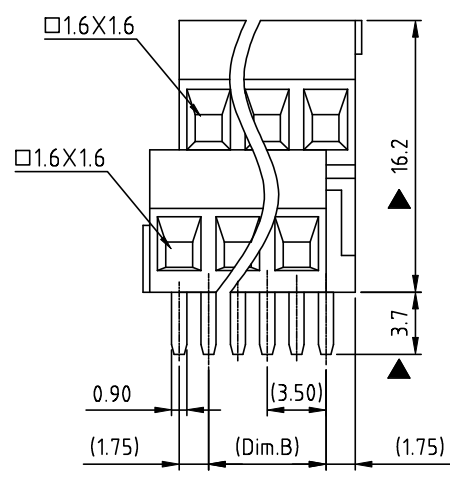
Rev.	SIGN	DATE	DESCRIPTION	APPROVER
D	△	2007.01.18	Soldering temperature changed from 245° to 250°	Tason
	△	2007.01.18	Part NO is Changed	Tason
E	△	2008.06.06	Voltage rating is Changed 150V to 300V	Marvin
	△	2008.06.06	Operating temperature is Changed	Marvin
F	△	2019.05.08	Increase RoHS Compliant to replace drawing frame	ZHEN BING
	△	2019.05.08	Increase key dimension representation	ZHEN BING
	△	2019.05.08	Update drawing for lead free certification and add color panchromatic	ZHEN BING
	△	2019.05.08	The dimension is change from 16.1 to 16.2	ZHEN BING
	△	2019.05.08	Add the reference dimension and note description	ZHEN BING
	△	2019.05.08	Remove DimB tolerance	ZHEN BING
G	△	2019.12.11	Add the VIEW.	Guoxue
	△	2019.12.11	Delete the "ANYTEK Logo".	Guoxue

THIS IS CAD DRAWING, DO NOT REVISE MANUALLY!!

- Material:
- Item① Terminal housing : Thermoplastic (UL 94V-0)
 - Item② Clamp : Brass ,Ni plated
 - Item③ Wire guard solder pin : Brass ,Tin plated
 - Item④ Terminal screw: Steel Zinc plating"-slot type

Electrical cULus

- △ ● Voltage rating: 300VAC
- Current rating: 10A
- Wire range:
 - Solid wire(AWG): 16-24
 - Stranded wire(AWG): 16-24
- Torque(Lb-In): 1.7
- Screw: M2
- Wire strip length: 5-6mm
- Withstanding Voltage: 1.6KV
- Operating temperature: -40°C to +115°C
- △ ● Wave Soldering temperature: 260°C±5°C/5 Sec
- △ ● Safety Approval: cULus
- △ ● Critical dimension: ▲
- △ ● Reference dimension: (×)The dimensions of pitch are just for reference, take the actual assembly result as a judgment when inserting the terminal block into the PCB hole.



RECOMMENDED PCB LAYOUT TOP VIEW

△ YQ xx 01 x 0 xxxx G
RoHS compliant (lead<4%)
In copper Alloy

- Color ▲
- 04 2×2 POLES
 - 06 2×3 POLES
 -
 - 48 2×24 POLES
- Color
- 0 Black (RAL9005)
 - 2 Red (RAL3001/D)
 - 3 Orange(RAL2011/P)
 - 4 Yellow(RAL1018/A)
 - 5 Green(RAL6018/T)
 - 6 Blue (RAL5015/A)
 - 8 Grey(RAL7035/D)
 - 9 White(RAL1102)
 - C Green(RAL6018/U)
- 0000:"@Logo (Standard)
- Any special item by customer request, please contact sales department.

Amphenol ANYTEK				CUSTOMER COPY			
ALL RIGHTS RESERVED. REPRODUCTION OR ISSUE TO THIRD PARTIES IN ANY FORM WHATSOEVER IS NOT PERMITTED WITHOUT WRITTEN AUTHORITY FROM THE PROPRIETOR. PROPERTY OF ANYTEK TECHNOLOGY CO., LTD							
TITLE		YQ-3.5mm -L series					
PART NO.		YQxx01x0xxxxG		DWG NO.		8YQ0001	
APPROVED		CHECKED	DESIGNED	DRAWN	CUST NO.		Tolerance
			Guoxue 2019.12.11	Guoxue 2019.12.11			X. ±0.50 X.X ±0.30 X.XX ±0.10 X* ±1*
				SHEET: 01/01		UNIT: mm SCALE: NONE REV.: G	