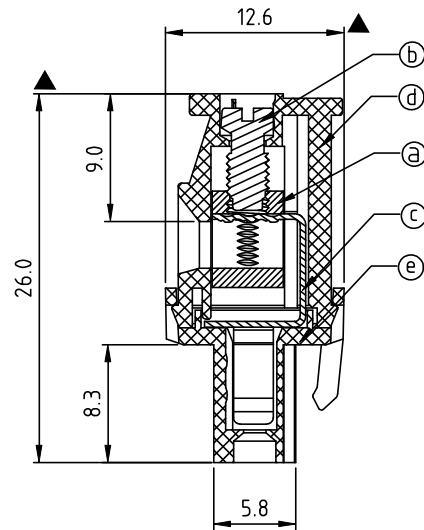
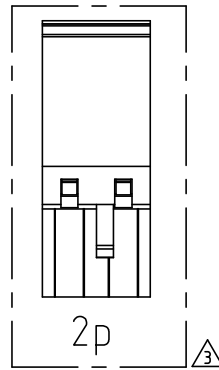
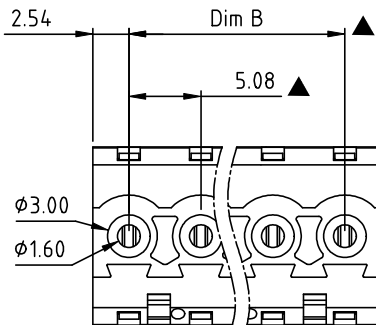
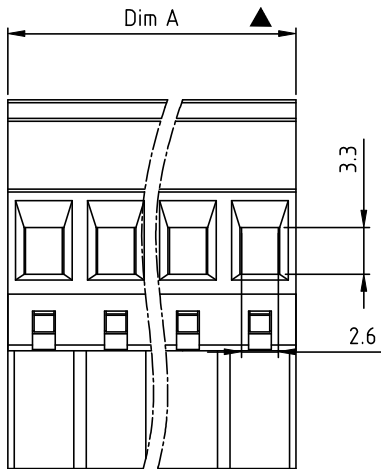
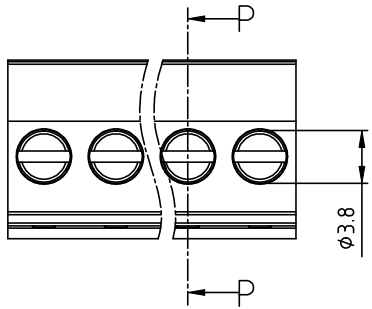


RoHS Compliant



SECTION P-P

N = Number of poles
 Dim A = N x 5.08
 Dim B = (N - 1) x 5.08

Poles	Dim A	Dim B
2p-6p	±0.15	±0.15
7p-12p	±0.25	±0.25
13p-18p	±0.30	±0.30
19p-24p	±0.40	±0.40

REV	SIGN	DATE	DESCRIPTION	APPROVER
D		11.01'05	Standard spec is changed.	Marivn
E		8/07'06	Added VDE and TUV standard	梁仁松
F		2010.03.12	Add the 2p mark	Jacke
G		08/06-20	update the drawing	Chen Bo

THIS IS CAD DRAWING, DO NOT REVISE MANUALLY!!!

Material

- Item① Clamp: Brass(CuZn) Ni plated
- Item② Terminal screw: Steel Zinc plating "-" slot type
- Item③ Female contact: PhBz, Bright Tin plated over Nickel plated
- Item④ Terminal (housing): Thermoplastic (UL94V-0)
- Item⑤ Terminal (cover): Thermoplastic (UL94V-0)

Electrical cULus/VDE/TUV

- Voltage rating: 300VAC/300VAC/300VAC
- Current rating: 15A/17A/15A
- Wire range: 2.5mm² / 0.34-2.5mm²
- Solid wire(AWG): 12-24
- Stranded wire(AWG): 12-24
- Torque: 3.5Lb-In./0.5Nm/0.4Nm
- Screw: M3
- Wire strip length: 6-7mm
- Withstanding Voltage: 1.6KV/2.5KV/2.5KV
- Operating temperature: -40°C to +115°C
- Safety approval:
- Critical dimension:

TS xx 51x B xxxx G

No. OF POLES
 02: 2 POLES

 24: 24 POLES

Color
 0 Black (RAL9005)
 2 Red (RAL3001/D)
 3 Orange(RAL2011/P)
 4 Yellow(RAL1018/A)
 5 Green(RAL6018/T)
 6 Blue (RAL5015/A)
 8 Grey(RAL7035/D)
 9 White(RAL1102)
 C Green(RAL6018/U)

G RoHS compliant (lead<4%)
 In copper Alloy

0000: "@" Logo
 000A: "ANYTEK" Mark
 0091: "ANYTEK" Mark
 Any special item by customer request.
 please contact sales department.

Amphenol ANYTEK				CUSTOMER COPY	
ALL RIGHTS RESERVED. REPRODUCTION OR ISSUE TO THRD PARTIES IN ANY FORM WHATSOEVER IS NOT PERMITTED WITHOUT WRITTEN AUTHORITY FROM THE PROPRIETOR. PROPERTY OF ANYTEK TECHNOLOGY CO., LTD					
TITLE		TS-5.08mmSeries(W/latching hooks on the back side)			
PART NO.		TSxx51xBxxxxG		DWG NO. 8TS0102	
APPROVED		CHECKED	DESIGNED	DRAWN	CUST NO.
			Chen Bo 08/06-20	Jacke 2009.11.13	
				UNIT: mm SCALE: NONE SHEET: 01/01 REV.: G	
				Tolerance X. ±0.50 X.X ±0.30 X.XX ±0.10 X° ±1°	