



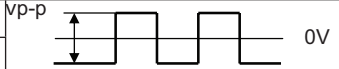
**MODEL:** CPT-12123-81-SMT-TR | **DESCRIPTION:** PIEZO BUZZER TRANSDUCER

**FEATURES**

- 25 Vp-p max operating voltage
- 81 dB



**SPECIFICATIONS**

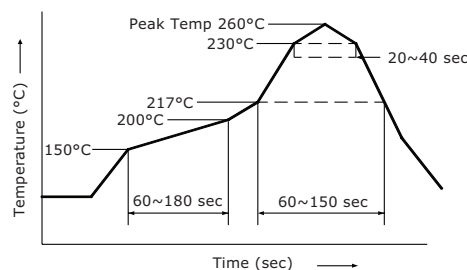
parameter	conditions/description	min	typ	max	units
rated voltage			5		Vp-p
operating voltage				25	Vp-p
current consumption	at 5 Vp-p, 4,000 Hz, ½ duty square wave			5	mA
rated frequency			4,000		Hz
sound pressure level	at 10 cm, 5 Vp-p, 4,000 Hz, square wave	81			dB
electrostatic capacitance	at 120 Hz / 1 V	11,200	16,000	20,800	pF
dimensions	12 x 12 x 3.0				mm
weight				0.5	g
material	LCP				
terminal	surface mount (tin plating)				
operating temperature		-40		120	°C
storage temperature		-40		120	°C
washable	no				
RoHS	yes				

Notes: 1. All specifications measured at 5-35°C, humidity at 45-85%, under 86-106 kPa pressure, unless otherwise noted.

**SOLDERABILITY**

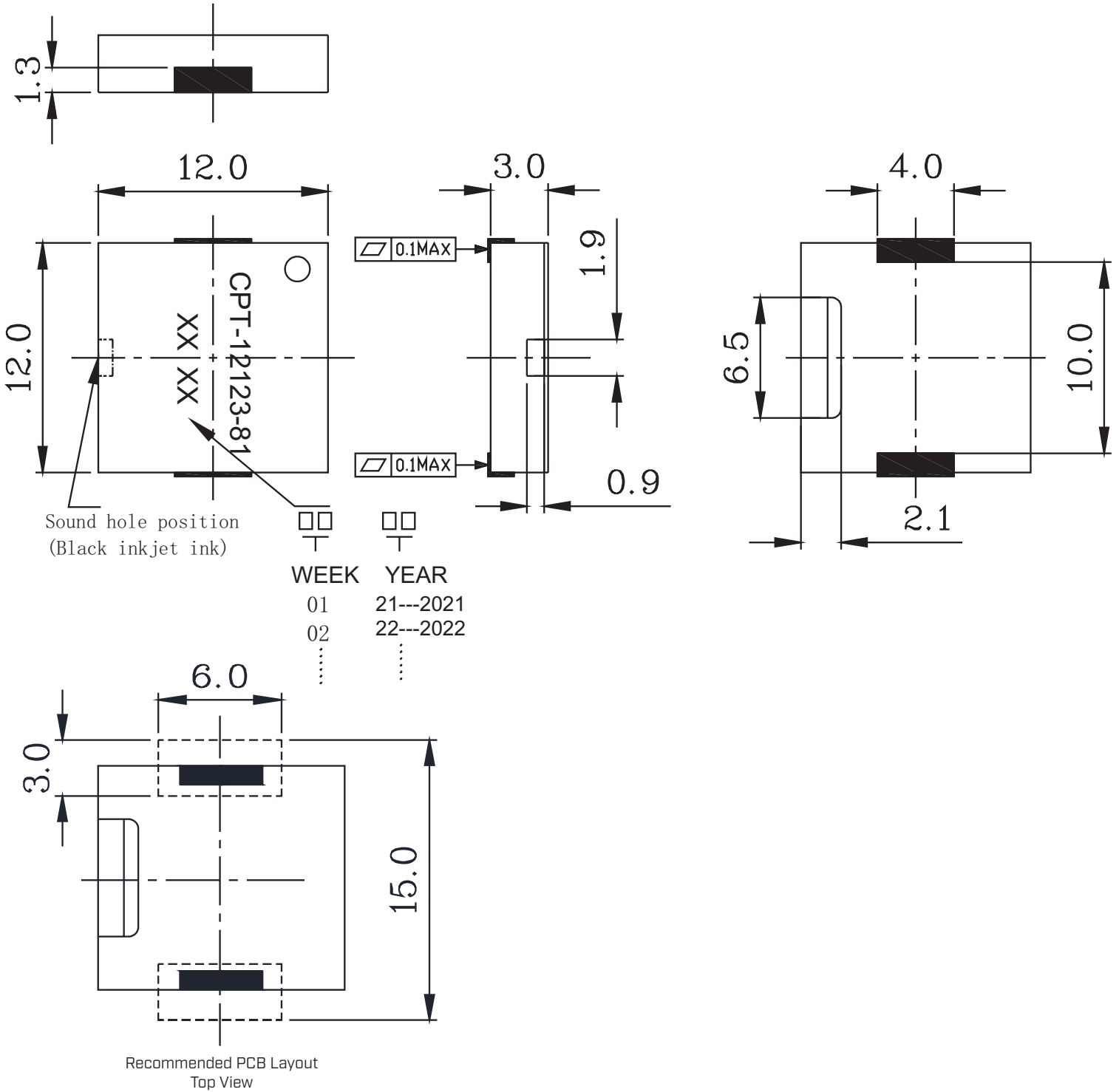
parameter	conditions/description	min	typ	max	units
reel storage	at relative humidity <40%			25	°C
reflow soldering <sup>2</sup>	see recommended reflow soldering profile			260	°C
drying conditions <sup>3</sup>	bake at 40°C for 24 hours				

Note: 2. It is recommended to reflow solder within 48 hours from opening vacuum packaging at a temperature <30°C & relative humidity <60%.  
 3. When out of packaging for more than 48 hours.

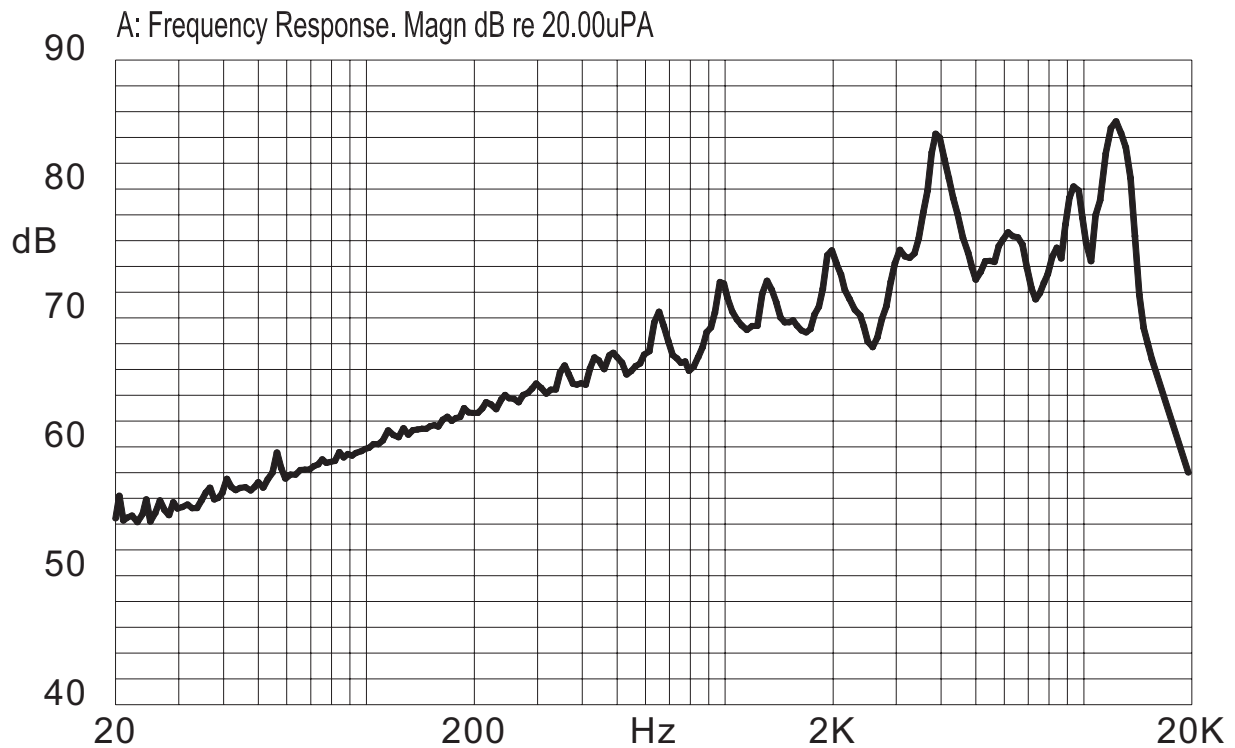


## MECHANICAL DRAWING

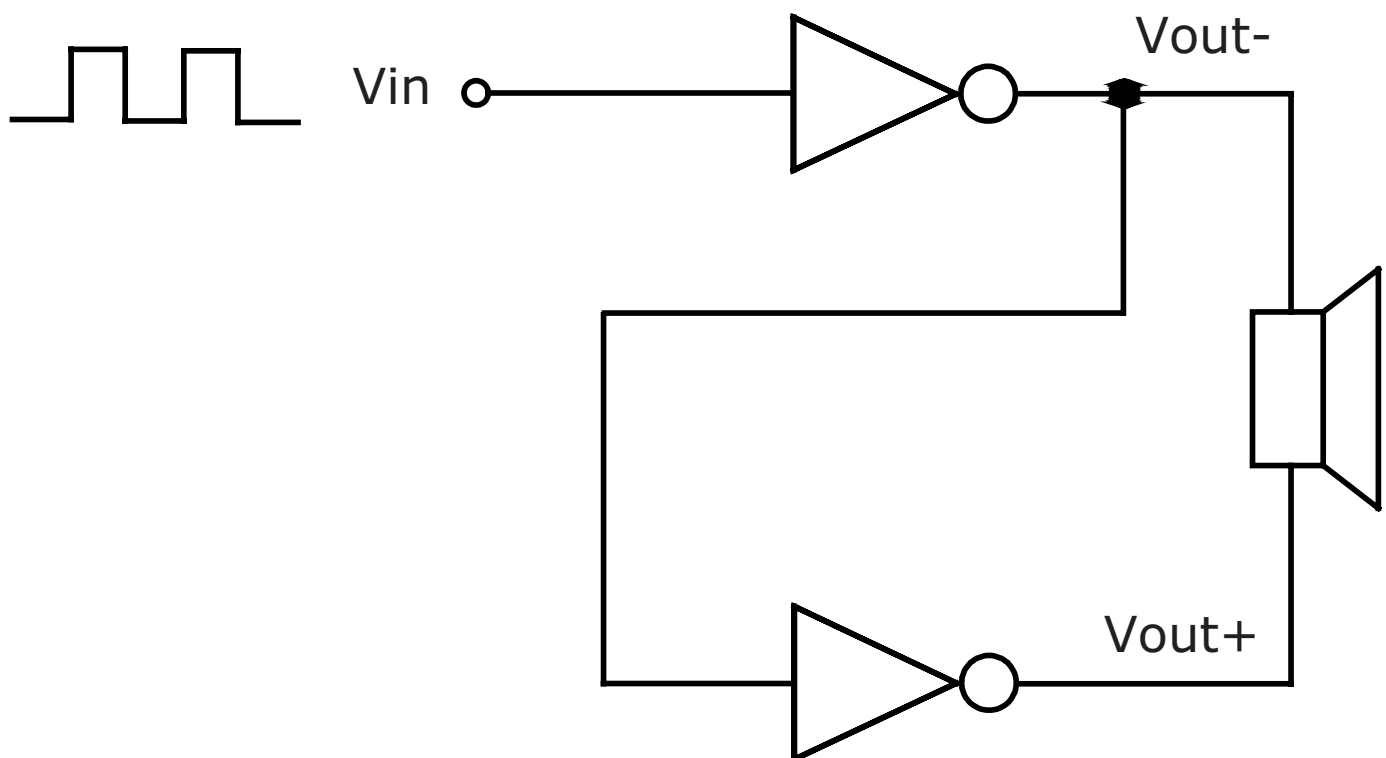
units: mm  
tolerance: ±0.3 mm



## FREQUENCY RESPONSE CURVE



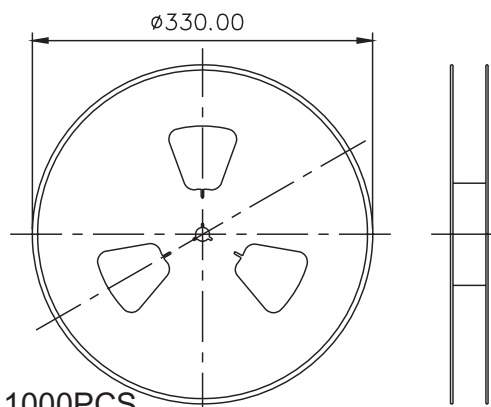
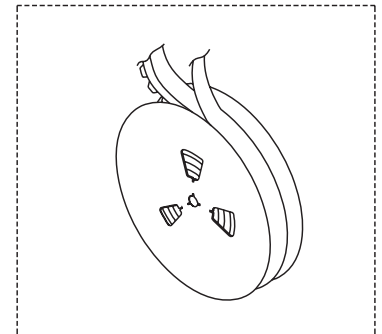
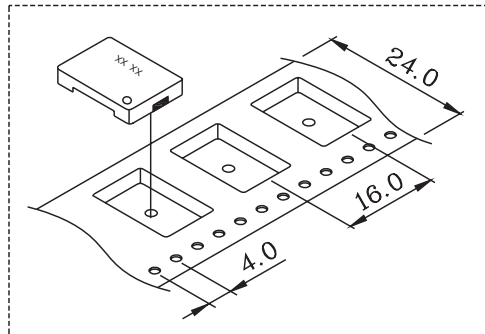
## APPLICATION CIRCUIT



## PACKAGING

units: mm

Inner Carton Size: 340 x 340 x 35 mm  
 Carton Size: 350 x 355 x 195 mm  
 Inner Carton QTY: 1,000 pcs per reel  
 Carton QTY: 5,000 pcs per carton

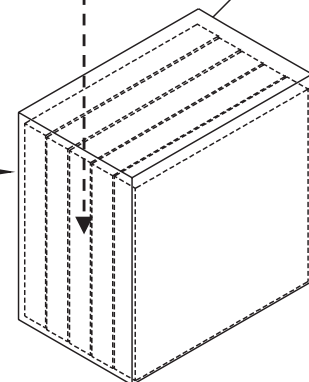
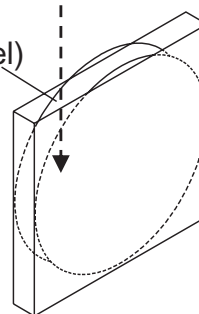


Lot No.	XXXXXXXXXX
Part No.	XXXXXXXXXX XXXXXXXXXX
Quantity.	XXXX Pcs
Date:	DD MM YY
<b>RoHs Compliant</b>	
MADE IN CHINA	

1 Reel: 1000 PCS

Carton Box  
(5 Inner Box)

Inner Box  
(1 Layer Reel)



## REVISION HISTORY

rev.	description	date
1.0	initial release	07/07/2021
1.01	logo, datasheet style update	08/05/2022
1.02	CUI Devices rebranded to Same Sky	09/11/2024

The revision history provided is for informational purposes only and is believed to be accurate.



Same Sky offers a one (1) year limited warranty. Complete warranty information is listed on our website.

Same Sky reserves the right to make changes to the product at any time without notice. Information provided by Same Sky is believed to be accurate and reliable. However, no responsibility is assumed by Same Sky for its use, nor for any infringements of patents or other rights of third parties which may result from its use.

Same Sky products are not authorized or warranted for use as critical components in equipment that requires an extremely high level of reliability. A critical component is any component of a life support device or system whose failure to perform can be reasonably expected to cause the failure of the life support device or system, or to affect its safety or effectiveness.

[sameskydevices.com](https://www.sameskydevices.com)