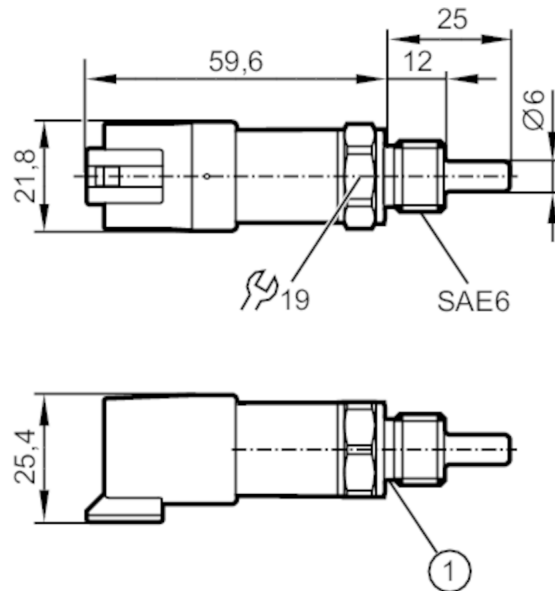




Temperature transmitter

TU-025C7EU38-A-ZVG/DE



1 O-ring

Product characteristics

Number of inputs and outputs	Number of analogue outputs: 1
Measuring range [°C]	0...100
Process connection	threaded connection SAE 6 external thread
Installation length EL [mm]	25

Application

Measuring element	1 x Pt 1000; (to DIN EN 60751, class A)
Media	liquids and gases
Pressure rating [bar]	400

Electrical data

Operating voltage [V]	8...32 DC; ("supply class 2" to cULus)
Current consumption [mA]	< 30
Protection class	III
Reverse polarity protection	yes

Inputs / outputs

Number of inputs and outputs	Number of analogue outputs: 1
------------------------------	-------------------------------

Outputs

Total number of outputs	1
Output signal	analogue signal
Number of analogue outputs	1
Analogue voltage output [V]	0.5...4.5
Min. load resistance [Ω]	2000
Short-circuit protection	yes
Overload protection	yes

TU4707



Temperature transmitter

TU-025C7EU38-A-ZVG/DE

Measuring/setting range		
Probe length L	[mm]	13
Measuring range	[°C]	0...100
Resolution		
Resolution of analogue output	[K]	0.1
Accuracy / deviations		
Precision analogue output	[K]	$\pm 0,3 + (\pm 0,1 \% MS)$
Temperature coefficient [% of the span / 10 K]		0,1; (in case of deviation from the reference condition $25 \pm 5 \text{ °C}$)
Response times		
Dynamic response T05 / T09	[s]	1 / 3; (to DIN EN 60751)
Software / programming		
Temperature range	[°C]	0...100
Operating conditions		
Ambient temperature	[°C]	-40...100
Storage temperature	[°C]	-40...100
Protection		IP 68; IP 69K
Tests / approvals		
EMC	DIN EN 61000-6-2 DIN EN 61000-6-3	
Shock resistance	DIN EN 60068-2-27	50 g (11 ms)
Vibration resistance	DIN EN 60068-2-6	20 g (10...2000 Hz)
MTTF	[years]	849
Mechanical data		
Weight	[g]	105.689
Housing		cylindrical
Dimensions	[mm]	$\varnothing 25.4 / L = 84.6$
Materials		stainless steel (316L/1.4404); PPS; FKM
Materials (wetted parts)		stainless steel (316L/1.4404); FKM
Process connection		threaded connection SAE 6 external thread
Probe diameter	[mm]	6
Installation length EL	[mm]	25
Remarks		
Remarks		The values for accuracy apply to flowing water.
Pack quantity		1 pcs.

TU4707

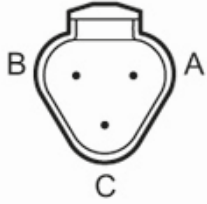


Temperature transmitter

TU-025C7EU38-A-ZVG/DE

Electrical connection

Connector: 1 x DEUTSCH connector (DT04-3P)



Connection

