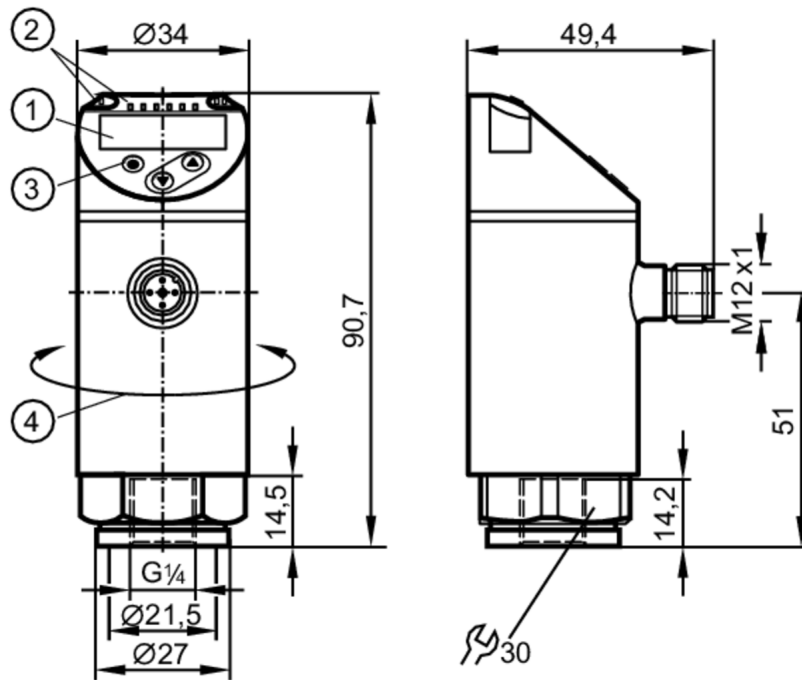


PE2092



Pressure sensor with display

PE-100-SER14-MFRKG/US/ /E



- 1 alphanumeric display 4-digit red/green
- 2 LEDs Display unit / switching status
- 3 programming button
- 4 upper part of the housing can be rotated 345°



Product characteristics

Number of inputs and outputs	Number of digital outputs: 2; Number of analogue outputs: 1		
Measuring range	0...100 bar	0...1450 psi	0...10 MPa
Process connection	threaded connection G 1/4 internal thread		

Application

Special feature	Gold-plated contacts		
Measuring element	ceramic-capacitive pressure measuring cell		
Application	for industrial applications		
Media	liquids and gases		
Conditionally suitable for	use in gases at pressures > 25 bar only on request		
Medium temperature [°C]	-25...80		
Min. bursting pressure	650 bar	9400 psi	65 MPa
Pressure rating	300 bar	4350 psi	30 MPa
Vacuum resistance [mbar]	-1000		
Vacuum resistance [MPa]	-0.1		
Type of pressure	relative pressure		

Electrical data

Operating voltage [V]	18...30 DC; (to SELV/PELV)		
Current consumption [mA]	< 35		
Min. insulation resistance [MΩ]	100; (500 V DC)		
Protection class	III		

PE2092



Pressure sensor with display

PE-100-SER14-MFRKG/US/ /E

Reverse polarity protection		yes
Power-on delay time	[s]	0.3
Integrated watchdog		yes

Inputs / outputs

Number of inputs and outputs	Number of digital outputs: 2; Number of analogue outputs: 1	
------------------------------	---	--

Outputs

Total number of outputs		2
Output signal		switching signal; analogue signal; IO-Link; (configurable)
Electrical design		PNP/NPN
Number of digital outputs		2
Output function		normally open / normally closed; (parameterisable)
Max. voltage drop switching output DC	[V]	2
Permanent current rating of switching output DC	[mA]	250
Switching frequency DC	[Hz]	< 500
Number of analogue outputs		1
Analogue current output	[mA]	4...20; (scalable 1:5)
Max. load	[Ω]	500
Analogue voltage output	[V]	0...10; (scalable 1:5)
Min. load resistance	[Ω]	2000
Short-circuit protection		yes
Type of short-circuit protection		pulsed
Overload protection		yes

Measuring/setting range

Measuring range	0...100 bar	0...1450 psi	0...10 MPa
Set point SP	0.6...100 bar	10...1450 psi	0.06...10 MPa
Reset point rP	0.2...99.6 bar	4...1444 psi	0.02...9.96 MPa
Analogue start point	0...80 bar	0...1160 psi	0...8 MPa
Analogue end point	20...100 bar	290...1450 psi	2...10 MPa
In steps of	0.2 bar	2 psi	0.02 MPa

Accuracy / deviations

Switch point accuracy		< ± 0,4; (Turn down 1:1)
	[% of the span]	
Repeatability		< ± 0,1; (with temperature fluctuations < 10 K; Turn down 1:1)
	[% of the span]	
Characteristics deviation		< ± 0,25 (BFSL) / < ± 0,5 (LS); (Turn down 1:1; BFSL = Best Fit Straight Line; LS = limit value setting)
	[% of the span]	
Hysteresis deviation		< ± 0,1; (Turn down 1:1)
	[% of the span]	
Long-term stability		< ± 0,05; (Turn down 1:1; per 6 months)
	[% of the span]	
Temperature coefficient zero point		0,2; (-25...80 °C)
	[% of the span / 10 K]	
Temperature coefficient span		0,2; (-25...80 °C)

PE2092



Pressure sensor with display

PE-100-SER14-MFRKG/US/ E

	[% of the span / 10 K]	
Notes on the accuracy / deviation		switch point accuracy, linearity error under DNV GL: $\pm 1\%$: $\pm 1\%$
Response times		
Response time	[ms]	<math>< 1.5</math>
Delay time programmable dS, dr	[s]	0...50
Damping process value dAP	[s]	0...4
Damping for the analogue output dAA	[s]	0...4
Max. response time analogue output	[ms]	3
Software / programming		
Parameter setting options		hysteresis / window; normally open / normally closed; switch-on/switch-off delay; Damping; Display unit; current/voltage output
Interfaces		
Communication interface		IO-Link
Transmission type		COM2 (38,4 kBaud)
IO-Link revision		1.1
SDCI standard		IEC 61131-9
Profiles		Smart Sensor: Process Data Variable; Device Identification, Device Diagnosis
SIO mode		yes
Required master port type		A
Process data analogue		1
Process data binary		2
Min. process cycle time	[ms]	2.3
Supported DeviceIDs		
	Type of operation	DeviceID
	default	461
Operating conditions		
Ambient temperature	[°C]	-25...80
Storage temperature	[°C]	-40...100
Protection		IP 65; IP 67
Tests / approvals		
EMC	DIN EN 61000-6-2	
	DIN EN 61000-6-3	
Shock resistance	DIN EN 60068-2-27	50 g (11 ms)
Vibration resistance	DIN EN 60068-2-6	20 g (10...2000 Hz)
MTTF	[years]	161
UL approval	UL Approval no.	J013
Pressure Equipment Directive		Sound engineering practice; can be used for group 2 fluids; group 1 fluids on request
Mechanical data		
Weight	[g]	253.7
Housing		cylindrical
Dimensions	[mm]	$\varnothing 34 / L = 90.7$
Materials		stainless steel (316L/1.4404); PBT+PC-GF30; PBT-GF20; PC
Materials (wetted parts)		stainless steel (316L/1.4404); Al2O3 (99.9%; ceramics); EPDM

PE2092



Pressure sensor with display

PE-100-SER14-MFRKG/US/ /E

Min. pressure cycles	100 million
Tightening torque [Nm]	25...35; (recommended tightening torque; depends on lubrication, seal and pressure rating)
Process connection	threaded connection G 1/4 internal thread
Restrictor element integrated	no (can be retrofitted)

Displays / operating elements		
Display	Display unit	3 x LED, green (bar, psi, MPa)
	switching status	2 x LED, yellow
	measured values	alphanumeric display, red/green 4-digit

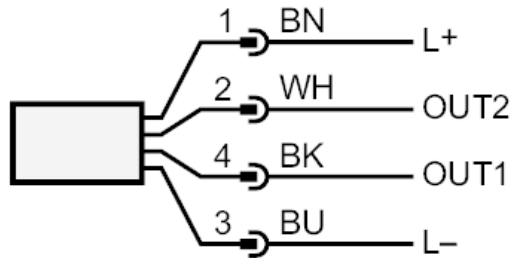
Remarks	
Pack quantity	1 pcs.

Electrical connection

Connector: 1 x M12; coding: A; Contacts: gold-plated



Connection



OUT1 switching output or IO-Link
 OUT2 switching output or analogue output
 colours to DIN EN 60947-5-2
 Core colours :

BK = black
 BN = brown
 BU = blue
 WH = white