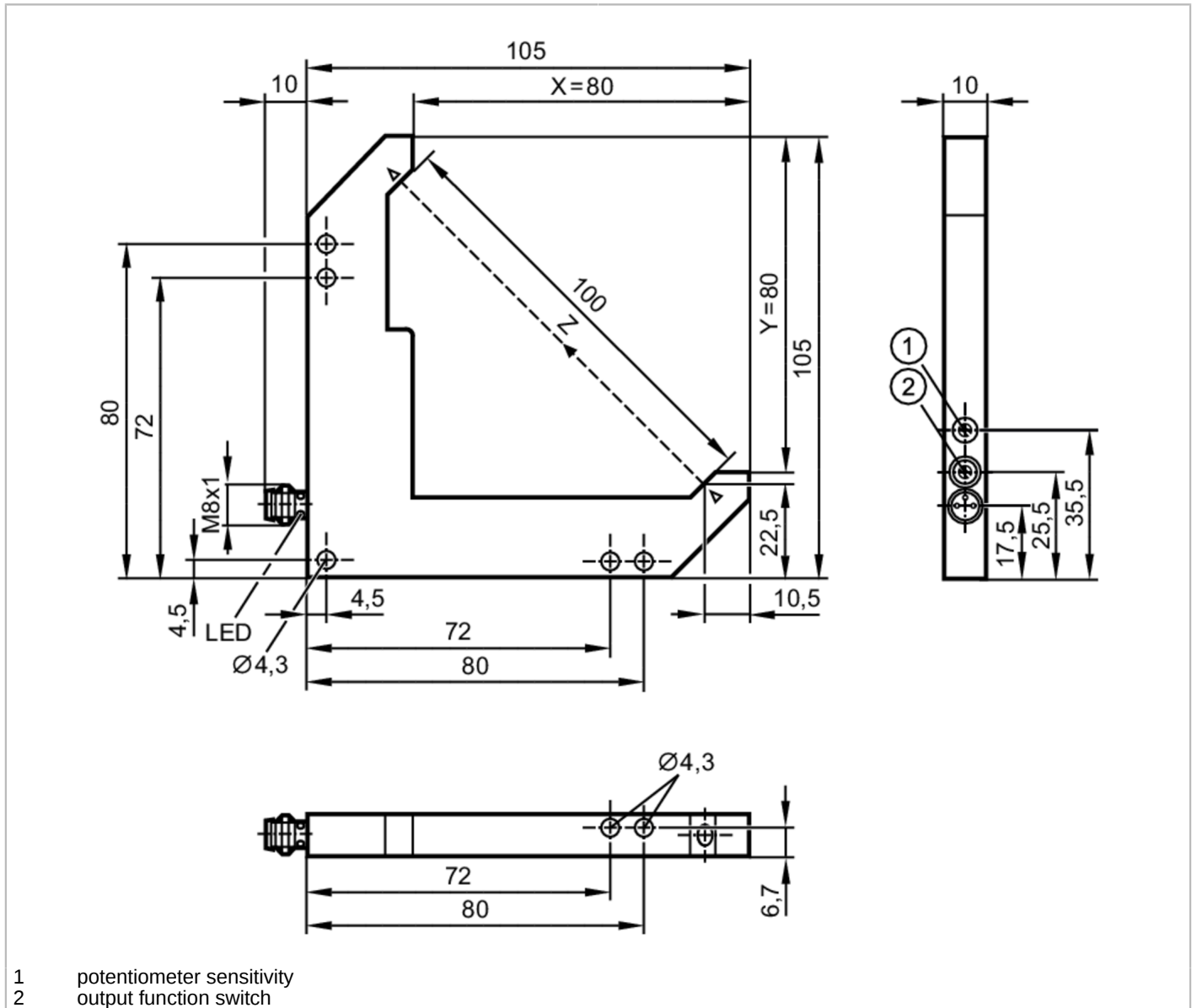


# OPL203



## Photoelectric angle sensor

OPL-FNKG/IO-LINK/AS



### Product characteristics

Type of light		red light
<b>Electrical data</b>		
Operating voltage	[V]	10...30 DC; ("supply class 2" to cULus)
Current consumption	[mA]	< 30
Protection class		III
Reverse polarity protection		yes
Type of light		red light
Wave length	[nm]	660
<b>Outputs</b>		
Electrical design		NPN
Output function		light-on/dark-on mode; (selectable)

# OPL203



## Photoelectric angle sensor

OPL-FNKG/IO-LINK/AS

Max. voltage drop switching output DC	[V]	1
Permanent current rating of switching output DC	[mA]	100
Switching frequency DC	[Hz]	5000
Short-circuit protection		yes
Type of short-circuit protection		pulsed
Overload protection		yes

### Detection zone

Diameter of the smallest detectable object	[mm]	0.3
--	------	-----

### Interfaces

Communication interface		IO-Link
Transmission type		COM2 (38,4 kBaud)
IO-Link revision		1.1
SDCI standard		IEC 61131-9
Profiles		Smart Sensor: Device Identification; Device Diagnosis; Teach Channel; Switching Channel; Process Data Variable
SIO mode		yes
Required master port type		A
Min. process cycle time	[ms]	3.2
Supported DeviceIDs	<b>Type of operation</b>	<b>DeviceID</b>
	default	1103

### Operating conditions

Ambient temperature	[°C]	-25...60
Protection		IP 67

### Tests / approvals

EMC		EN 60947-5-2
MTTF	[years]	709

### Mechanical data

Weight	[g]	182
Dimensions	[mm]	105 x 10 x 105
Side length X	[mm]	80
Side length Y	[mm]	80
Sensor width Z	[mm]	100
Materials		housing: diecast zinc black anodised; lens: glass

### Displays / operating elements

Display	switching status	1 x LED, yellow
---------	------------------	-----------------

### Remarks

Remarks		operating voltage "supply class 2" according to cULus
Pack quantity		1 pcs.

# OPL203



## Photoelectric angle sensor

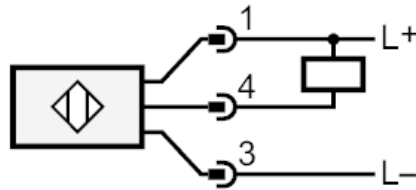
OPL-FNKG/IO-LINK/AS

### Electrical connection

Connector: 1 x M8; coding: A



### Connection



4

OUT / IO-Link