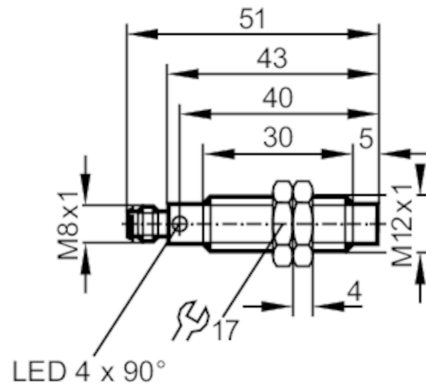




## Inductive sensor

IFB3007-BPKG/M/AS-514-TPS



### Product characteristics

Electrical design		PNP
Output function		normally open
Sensing range	[mm]	7
Housing		threaded type
Dimensions	[mm]	M12 x 1 / L = 51

### Application

Special feature		Gold-plated contacts; Increased sensing range
Application		Industrial applications / factory automation

### Electrical data

Operating voltage	[V]	10...36 DC
Current consumption	[mA]	10; (24 V)
Protection class		III
Reverse polarity protection		yes

### Outputs

Electrical design		PNP
Output function		normally open
Max. voltage drop switching output DC	[V]	2.5
Permanent current rating of switching output DC	[mA]	100
Switching frequency DC	[Hz]	700
Short-circuit protection		yes
Type of short-circuit protection		pulsed
Overload protection		yes

### Detection zone

Sensing range	[mm]	7
Real sensing range $S_r$	[mm]	$7 \pm 10\%$
Operating distance	[mm]	0...5.7

# IFS211



## Inductive sensor

IFB3007-BPKG/M/AS-514-TPS

Increased sensing range	yes
-------------------------	-----

### Accuracy / deviations

Correction factor	steel: 1 / stainless steel: 0.7 / brass: 0.5 / aluminium: 0.4 / copper: 0.3
Hysteresis [% of Sr]	3...15
Switch point drift [% of Sr]	-10...10

### Operating conditions

Ambient temperature [°C]	-25...70
Protection	IP 67; (if screwed on)

### Tests / approvals

EMC	EN 61000-4-2 ESD	4 kV CD / 8 kV AD
	EN 61000-4-3 HF radiated	10 V/m
	EN 61000-4-4 Burst	2 kV
	EN 61000-4-6 HF conducted	10 V
	EN 55011	class B
MTTF [years]	2017	
UL approval	Ta	-25...70 °C
	Enclosure type	Type 1
	power supply	Class 2
	File number UL	E174191

### Mechanical data

Weight [g]	25.95
Housing	threaded type
Mounting	non-flush mountable
Dimensions [mm]	M12 x 1 / L = 51
Thread designation	M12 x 1
Materials	brass white bronze coated; sensing face: PBT

### Displays / operating elements

Display	switching status	4 x 90° LED, yellow
---------	------------------	---------------------

### Accessories

Items supplied	lock nuts: 2
----------------	--------------

### Remarks

Pack quantity	1 pcs.
---------------	--------

### Electrical connection - plug

Connector: 1 x M8; coding: A; Contacts: gold-plated



# IFS211



## Inductive sensor

IFB3007-BPKG/M/AS-514-TPS

### Connection

