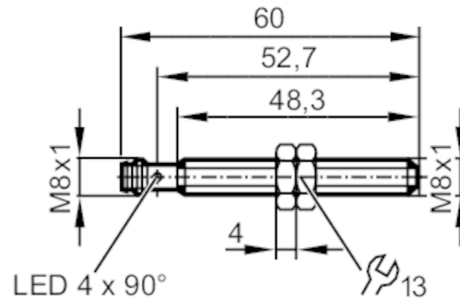


IE5390



Inductive sensor

IEK31,5-BPKG/V4A/K1/AS



Product characteristics

Electrical design	PNP
Output function	normally open
Sensing range [mm]	1.5
Housing	threaded type
Dimensions [mm]	M8 x 1 / L = 60

Application

Special feature	Gold-plated contacts; Correction factor K = 1; Magnetic-field immune
Magnetic-field immune	yes
Max. magnetic field immunity [mT]	300

Electrical data

Operating voltage [V]	10...30 DC
Current consumption [mA]	< 20
Protection class	III
Reverse polarity protection	yes

Outputs

Electrical design	PNP
Output function	normally open
Max. voltage drop switching output DC [V]	2.5
Permanent current rating of switching output DC [mA]	100
Switching frequency DC [Hz]	1000
Short-circuit protection	yes
Overload protection	yes

Detection zone

Sensing range [mm]	1.5
Real sensing range Sr [mm]	1.5 ± 10 %
Operating distance [mm]	0...1.2

Accuracy / deviations

Correction factor	steel: 1 / stainless steel: 1 / brass: 1 / aluminium: 1 / copper: 1
Hysteresis [% of Sr]	1...20

IE5390



Inductive sensor

IEK31,5-BPKG/V4A/K1/AS

Switch point drift	[% of Sr]	-10...10
Correction factor K = 1		yes

Operating conditions

Ambient temperature	[°C]	-25...70
Protection		IP 65; IP 67; (with ifm socket duly screwed on)

Tests / approvals

EMC	EN 61000-4-2 ESD	4 kV CD / 8 kV AD
	EN 61000-4-3 HF radiated	10 V/m
	EN 61000-4-4 Burst	2 kV
	EN 61000-4-6 HF conducted	10 V
	EN 55011	class B
MTTF	[years]	544
Embedded software included		yes

Mechanical data

Weight	[g]	22
Housing		threaded type
Mounting		flush mountable
Dimensions	[mm]	M8 x 1 / L = 60
Thread designation		M8 x 1
Materials		housing: stainless steel (316L/1.4404); sensing face: LCP; lock nuts: brass

Displays / operating elements

Display	switching status	4 x 90° LED, yellow
---------	------------------	---------------------

Accessories

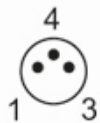
Items supplied		lock nuts: 2
----------------	--	--------------

Remarks

Pack quantity		1 pcs.
---------------	--	--------

Electrical connection - plug

Connector: 1 x M8; coding: A; Locking: snap-fit ; Contacts: gold-plated



IE5390



Inductive sensor

IEK31,5-BPKG/V4A/K1/AS

Connection

