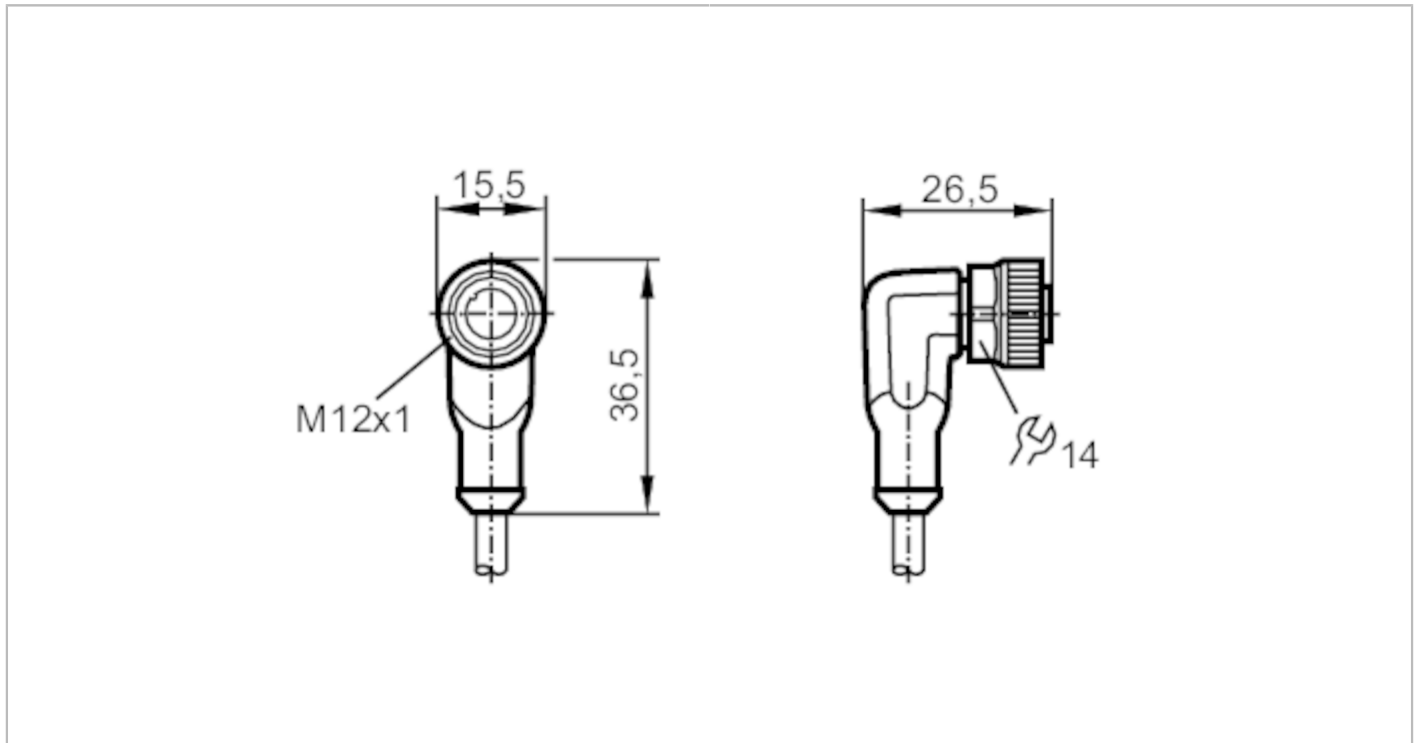


# EVC549



## Connecting cable with socket

ADOAH050MSS0010K05



Application	
Special feature	Free from silicone; Halogen-free; Gold-plated contacts; Screened cable; Drag chain suitability
Free from silicone	yes
Electrical data	
Operating voltage [V]	< 30 AC / < 36 DC
Protection class	III
Max. current load total [A]	4
Overall current rating (UL) [A]	3
Operating conditions	
Ambient temperature [°C]	-25...90
Note on ambient temperature	cULus: ...75
Ambient temperature (moving) [°C]	-25...90
Note on ambient temperature (moving)	cULus: ...75
Protection	IP 65; IP 67
Mechanical data	
Weight [g]	404.9
Dimensions [mm]	26.5 x 15.5 x 36.5
Materials	housing: TPU orange; Sealing: FKM
Material nut	brass, nickel-plated
Drag chain suitability	yes

# EVC549



## Connecting cable with socket

ADOAH050MSS0010K05

Drag chain suitability	bending radius for flexible use	min. 10 x cable diameter
	travel speed	max. 3.3 m/s for a horizontal travel length of 5 m and max. acceleration of 5 m/s <sup>2</sup>
	bending cycles	≥ 2 Mio.
	torsional strain	± 180 °/m

### Remarks

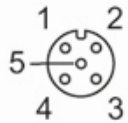
Pack quantity	1 pcs.
---------------	--------

### Electrical connection

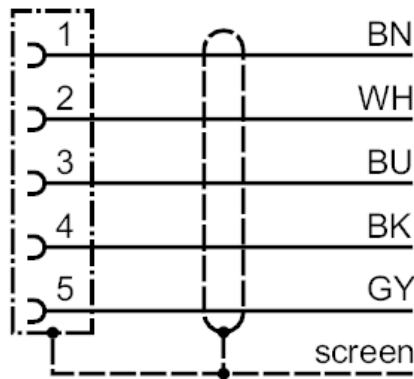
Cable: 10 m, PUR, Halogen-free, black, Ø 4.9 mm, shielded; 5 x 0.25 mm<sup>2</sup> (32 x Ø 0.1 mm )

### Electrical connection - socket

Connector: 1 x M12, angled; coding: A; Locking: brass, nickel-plated; Contacts: gold-plated; Tightening torque: 0.6...1.5 Nm; Shielded connection cable: screen connected



### Connection



- Core colours :
- BK = black
  - BN = brown
  - BU = blue
  - GY = grey
  - WH = white

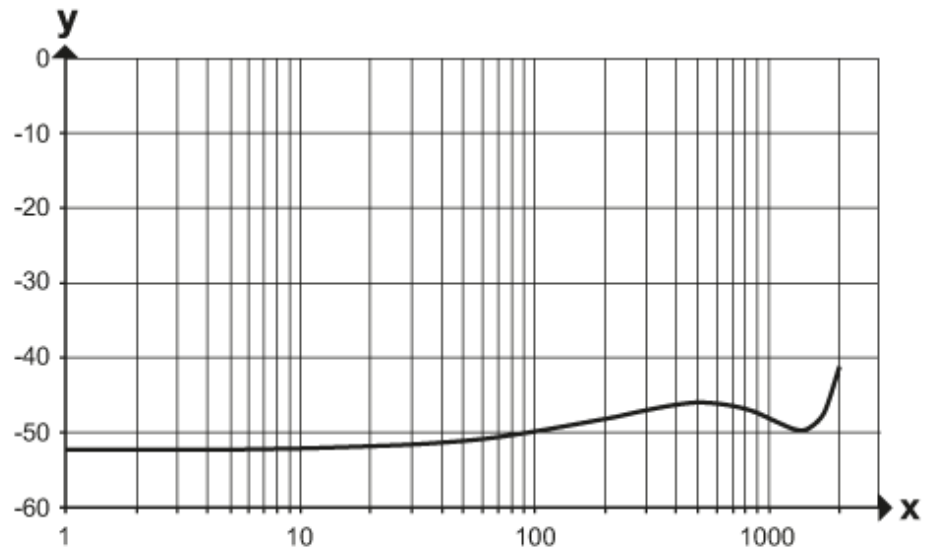


## Connecting cable with socket

ADOAH050MSS0010K05

### Diagrams and graphs

#### Shielding characteristics



x frequency (MHz)

y Shielding characteristics (dB)

according to DIN EN 60512-23-3