

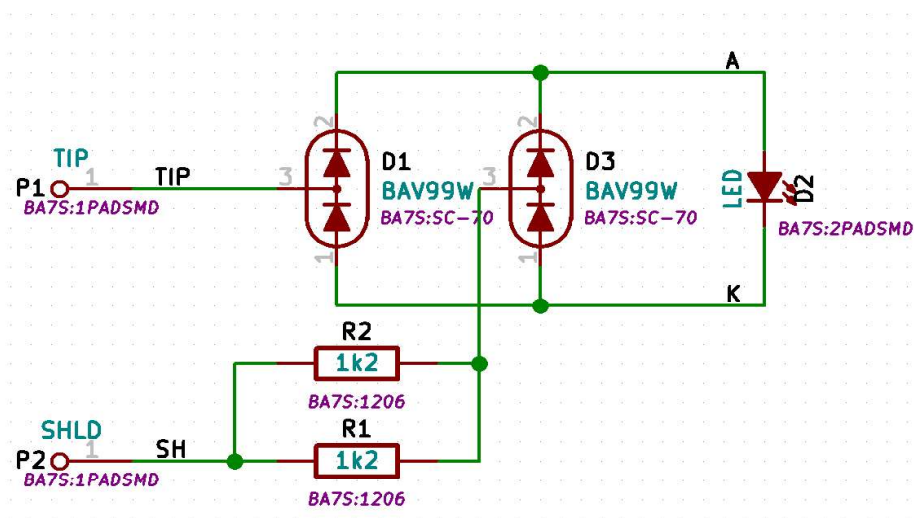
## 1. Product description:

The declaration is concerned about LED signal lamps produced for a number of voltage ranging 6V – 30V-AC/DC (6V; 12V; 24V; 30V) . The lamps are designed for electric accessories use.

## 2. Technological documentation:

All the signal LED lamps are based on the following circuitry

### Full-wave rectifier



For 12V-AC/DC voltage, power consumption is 0,25 W and for 24V-AC/DC, it is 0,4 W.

### - signal lamp BA7S

