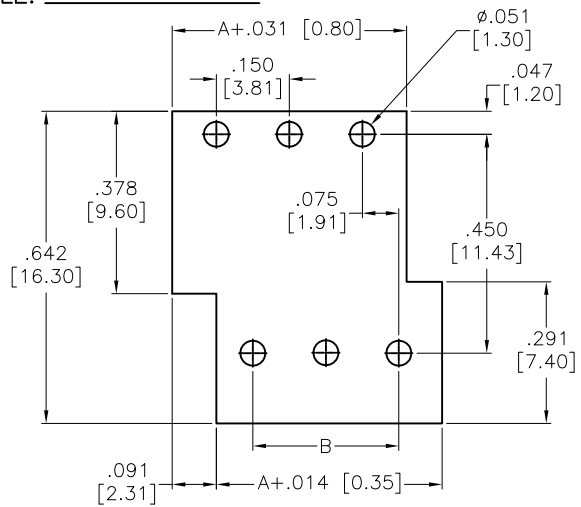


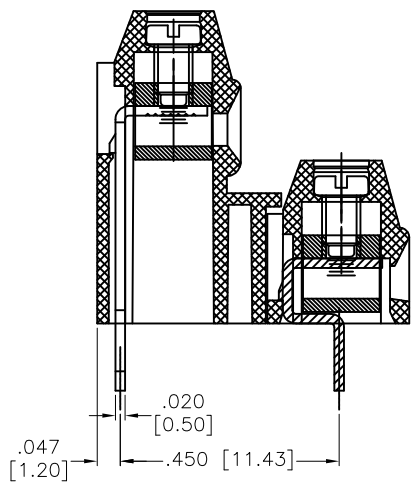
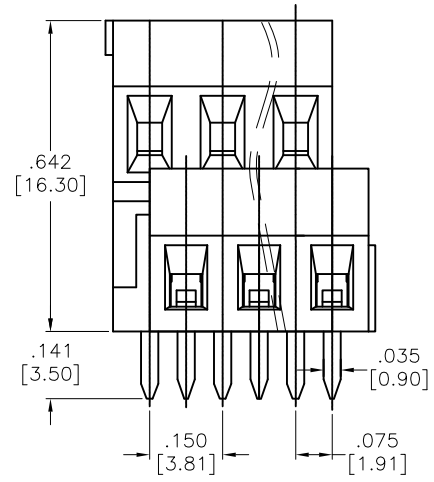
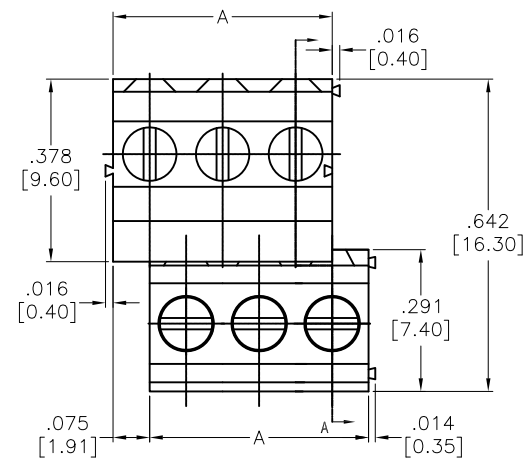
APPROVED: _____

DATE: _____ TITLE: _____

Rev	AWO #	Description	Date	Appr
-		RELEASED	7/11/17	



RECOMMENDED PCB LAYOUT



SPECIFICATIONS:
Material:
 Insulator: Nylon66, rated UL 94V-0
 Insulator color: Green
 Contacts: Brass, Tin plated
 Screws: M2.0 Steel, Zinc plated
 Cage: Brass, Nickel plated
Electrical:
 Voltage rating: 300V
 Current rating: 10 A
 Contact resistance: 20 mohms max
 Insulation resistance: 500 Mohms min @ 500 VDC
 Dielectric withstanding voltage: 2,000 VAC for 1 minute
Mechanical:
 Wire range: 28-16AWG, 1.0mm²
 Torque: 0.2N-m, 1.8Lb-in
 Strip Length: 4-5mm
Environmental:
 Operating temperature: -40°C to +105°C
Environmental:
 Lead free, RoHS compliant.



Positions: 2x02 thru 2x24
 A = .150 [3.81] x No. of Positions Per Row
 B = .150 [3.81] x No. of Spaces

UNLESS OTHERWISE SPECIFIED ALL DIMENSIONS ARE INCHES [MM] TOLERANCES: EXCEPT AS NOTED			
INCHES		HOLES	
.X	± .10	Ø.X	± .10
.XX	± .020	Ø.XX	± .015
.XXX	± .015	Ø.XXX	± .010
APPROVALS		DATE	
DRAWN	HR	7/11/17	
CHECKED	RT	7/11/17	
APPROVED			

ADAM TECH
 909 Rahway Avenue, Union, NJ 07083
 Phone: 908-687-5000 Fax: 908-687-5710

TITLE: **EURO BLOCK, .150 [3.81] PITCH**

SIZE X	PART NO. EB25A-XX-B-R	REV. -
REF: S00067C	SCALE: NTS	SHEET 1 OF 1

6 5 4 3 2 1

D

D

C

C

B

B

A

A

6 5 4 3 2 1