

# Home - Fischerelektronik - LA 25

[fischerelektronik.de/web\\_fischer/en\\_GB/VA/LA25600230/datasheet.xhtml](http://fischerelektronik.de/web_fischer/en_GB/VA/LA25600230/datasheet.xhtml)

## Features

width: 160 mm

height: 165 mm

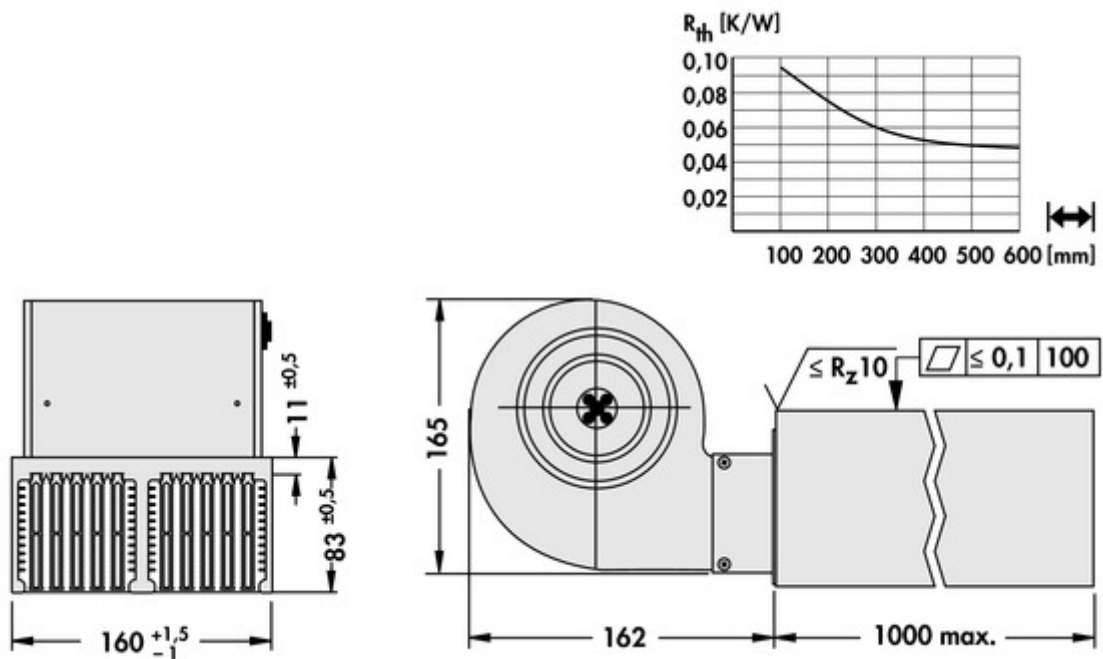
length: 600 mm

thermal resistance: 0.095 - 0.049 K/W

surface: 

- raw degreased aluminium (by the metre raw aluminium)
- mounting area(s) milled flat

## Technical Drawing



## Fan

---

bearing type:	ball bearing
type:	ebmpapst, radial blower with grid, double sided absorbtion
discharge air flow:	435 m <sup>3</sup> /h
rotation speed:	1,950 min <sup>-1</sup>
power inout:	87 W
current consumption:	0.39 A
circuit voltage:	230 V AC
temperature range:	-25°C... +40°C
motor condenser:	2 µF/400 V
noise level:	58 dB(A)
weight:	1500 g

---