

LED Signalleuchten LED Panel Mount Indicators

EINBAUDURCHMESSER
MOUNTING HOLE

6 mm

8 mm

12 mm

14 mm

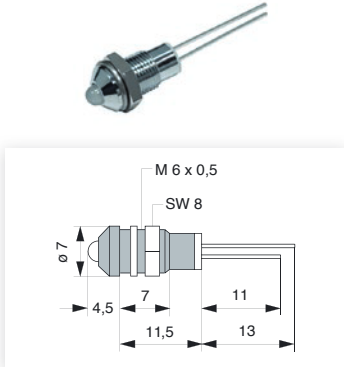
16 mm

19 mm

22 mm

ZUBEHÖR
ACCESSORIES

Außenreflektor zweifarbig ohne Vorwiderstand IP40 / *Prominent (exterior) bezel bi-colour without resistor IP40*



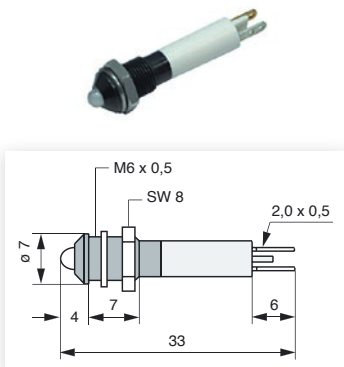
Part Number	Colour	Typ. Forward Voltage	Typ. Current	Typ. Lumi. Intensity
Hochglanzverchromter Metallreflektor / Satin chrome bezel				
19020004	red/green	2,0/2,2V DC	–	40/40mcd at 20mA
19020005	red/yellow	2,0/2,1V DC	–	40/20mcd at 20mA
19020006	green/yellow	2,2/2,1V DC	–	40/20mcd at 20mA
Schwarzverchromter Metallreflektor / Black chrome bezel				
19021004	red/green	2,0/2,2V DC	–	40/40mcd at 20mA
19021005	red/yellow	2,0/2,1V DC	–	40/20mcd at 20mA
19021006	green/yellow	2,2/2,1V DC	–	40/20mcd at 20mA
Mattverchromter Metallreflektor / Matt chrome bezel				
19022004	red/green	2,0/2,2V DC	–	40/40mcd at 20mA
19022005	red/yellow	2,0/2,1V DC	–	40/20mcd at 20mA
19022006	green/yellow	2,2/2,1V DC	–	40/20mcd at 20mA

Maximale Frontplattenstärke 5,5mm / *Maximum panel thickness 5.5mm*

Farbwechsel durch Umpolung der Versorgungsspannung

This colour is changed by changing polarity of the supply voltage.

Außenreflektor zweifarbig mit Vorwiderstand IP40 / *Prominent (exterior) bezel bi-colour with resistor IP40*



Part Number	Colour	Voltage	Typ. Current	Typ. Lumi. Intensity
Hochglanzverchromter Metallreflektor / Satin chrome bezel				
19020254	red/green	12V DC	20mA DC	40/40mcd
19020255	red/yellow	12V DC	20mA DC	40/20mcd
19020256	green/yellow	12V DC	20mA DC	40/20mcd
19020354	red/green	24V DC	15mA DC	30/30mcd
19020355	red/yellow	24V DC	15mA DC	30/15mcd
19020356	green/yellow	24V DC	15mA DC	30/15mcd
Schwarzverchromter Metallreflektor / Black chrome bezel				
19021254	red/green	12V DC	20mA DC	40/40mcd
19021255	red/yellow	12V DC	20mA DC	40/20mcd
19021256	green/yellow	12V DC	20mA DC	40/20mcd
19021354	red/green	24V DC	15mA DC	30/30mcd
19021355	red/yellow	24V DC	15mA DC	30/15mcd
19021356	green/yellow	24V DC	15mA DC	30/15mcd
Mattverchromter Metallreflektor / Matt chrome bezel				
19022254	red/green	12V DC	20mA DC	40/40mcd
19022255	red/yellow	12V DC	20mA DC	40/20mcd
19022256	green/yellow	12V DC	20mA DC	40/20mcd
19022354	red/green	24V DC	15mA DC	30/30mcd
19022355	red/yellow	24V DC	15mA DC	30/15mcd
19022356	green/yellow	24V DC	15mA DC	30/15mcd

Maximale Frontplattenstärke 5,5mm / *Maximum panel thickness 5.5mm*

Farbwechsel durch Umpolung der Versorgungsspannung

This colour is changed by changing polarity of the supply voltage.

Andere Spannungen auf Anfrage / *Other voltages on request*