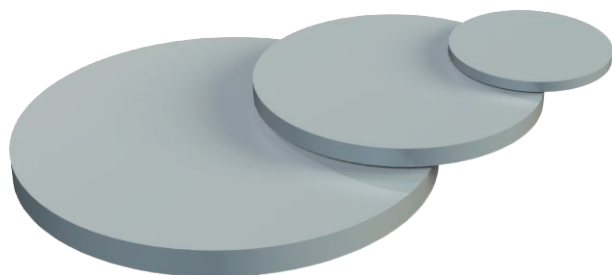


Technical data sheet

Sealing plate, PG

Item no. 2029707



The sealing plate offers both mechanical protection and the maintenance of the protection rating of plastic and metal cable glands to DIN 46320 before cable installation.

Application: the discs are placed between the pressure screw and the pressure ring. If the safe maintenance of IP65 is required, we recommend placing the discs between the pressure ring and the sealing ring. To mount the cable, remove the discs – they can be reused.

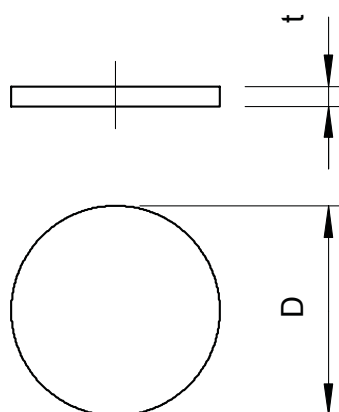
Pg

PVC Polyvinylchloride

Master data

Item no.	2029707
Type	107 V PG 7 PVC
Description 1	Sealing plate
Dimension	PG7
Colour	Light grey
RAL number	7035
Material	Polyvinylchloride
Material symbol	PVC
Smallest sales unit (VG)	100,00 Piece
Weight	0,01 kg/100 pc.

Technical data



Dimension D	11,00 mm
Dimension t	0,50 mm
Version for	Other
External diameter	11,00 mm
For thread dimension, PG	7,00
Size	Pg 7 mm
Thickness	0,50 mm