

Compensated High Current Choke, 3-phase



See below:

Approvals and Compliances

Description

- Current compensated choke
- 3-phase choke
- THT-terminals
- Flange for mounting onto printed circuit board
- Other versions on request:
 - 4 wire versions
 - Customer specific pin outs

Unique Selling Proposition

- Compact size and light weight
- Open design for optimal cooling
- Nanocrystalline or ferrite ring cores
- Customer specific pin outs available

Applications

- Frequency converter
- Charge stations
- UPS-systems
- Switching power supplies

References

Substitute for type [DKIL-3](#)

Weblinks

[pdf datasheet](#), [html-datasheet](#), [General Product Information](#), [Distributor-Stock-Check](#), [Detailed request for product](#), [Landing Page](#)

Technical Data

Rated voltage	max 600VAC
Rated Current	10 - 50A @ Ta 40 °C
Rated inductance	0.08 - 10.8mH, Tol. -30% +50%
Power Operating Frequency	0 - 400Hz
Terminal Type	THT
Weight	90 - 160g
Material: Housing	UL 94V-0

Test Voltage	3740VDC, 2 sec, winding to winding
Climatic Category	40/100/21 acc. to IEC 60068-1
Allowable Operation Temp.	-40°C to 100°C

Approvals and Compliances

Detailed information on product approvals, code requirements, usage instructions and detailed test conditions can be looked up in [Details about Approvals](#)

SCHURTER products are designed for use in industrial environments. They have approvals from independent testing bodies according to national and international standards. Products with specific characteristics and requirements such as required in the automotive sector according to IATF 16949, medical technology according to ISO 134485 or in the aerospace industry can be offered exclusively with customer-specific, individual agreements by SCHURTER.





Application standards

Application standards where the product can be used

Organization	Design	Standard	Description
	Designed for applications acc.	IEC/UL 60950	IEC 60950-1 includes the basic requirements for the safety of information technology equipment.

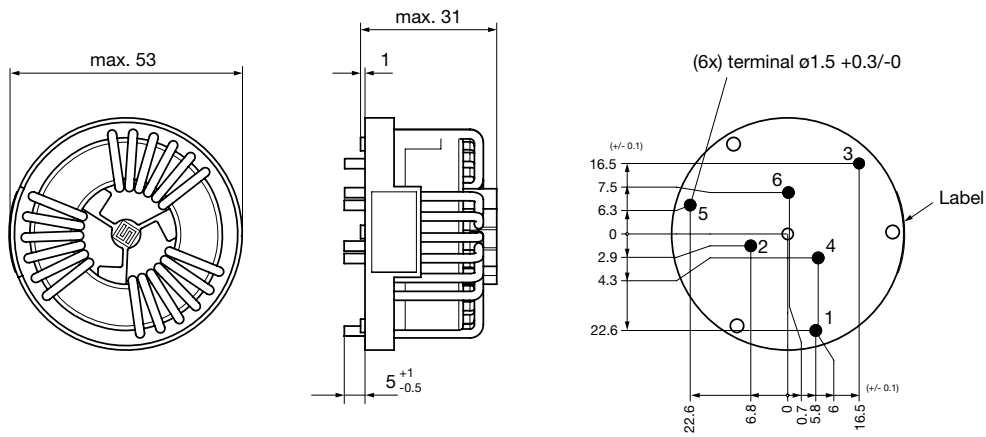
Compliances

The product complies with following Guide Lines

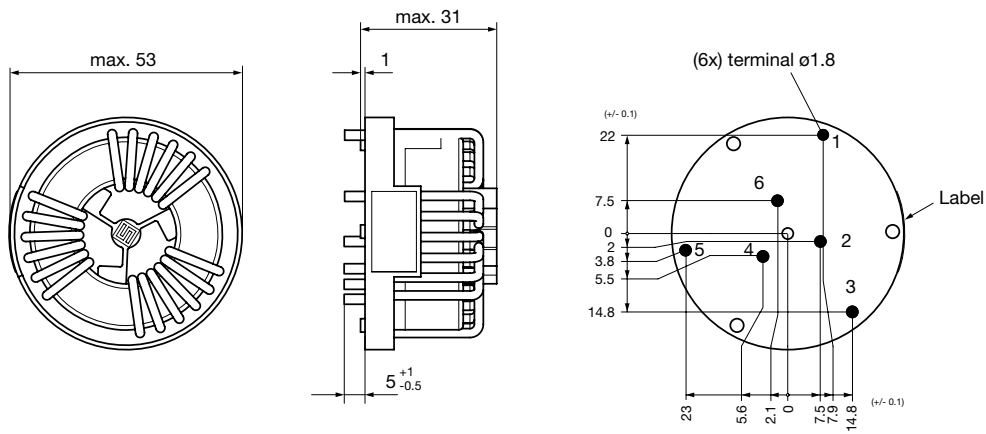
Identification	Details	Initiator	Description
	CE declaration of conformity	SCHURTER AG	The CE marking declares that the product complies with the applicable requirements laid down in the harmonisation of Community legislation on its affixing in accordance with EU Regulation 765/2008.
	RoHS	SCHURTER AG	EU Directive RoHS 2011/65/EU
	China RoHS	SCHURTER AG	The law SJ / T 11363-2006 (China RoHS) has been in force since 1 March 2007. It is similar to the EU directive RoHS.
	REACH	SCHURTER AG	On 1 June 2007, Regulation (EC) No 1907/2006 on the Registration, Evaluation, Authorization and Restriction of Chemicals 1 (abbreviated as "REACH") entered into force.

Dimensions [mm]

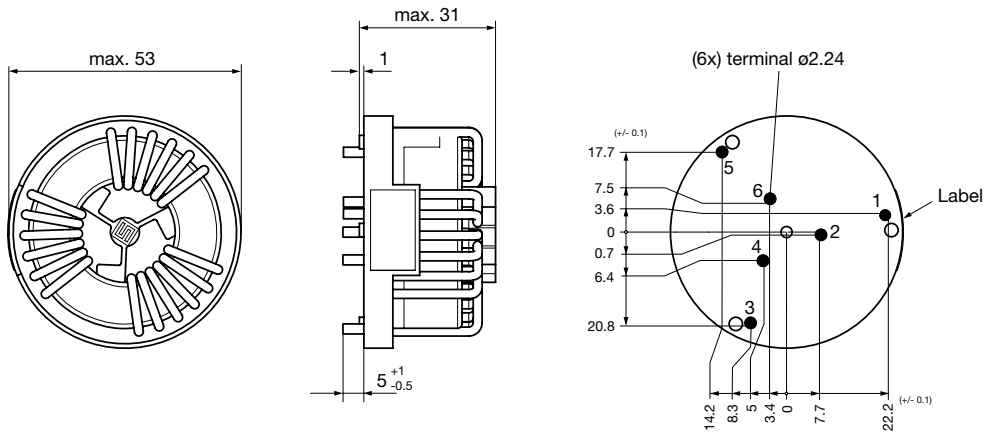
52-12



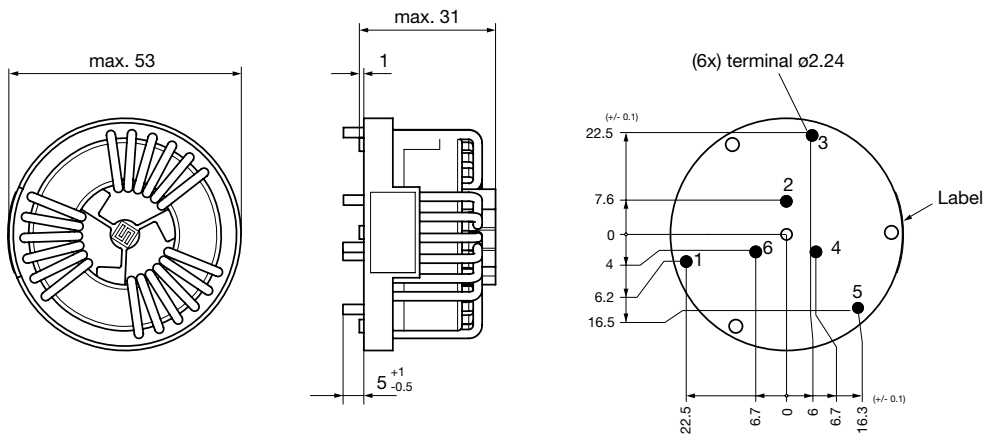
52-16



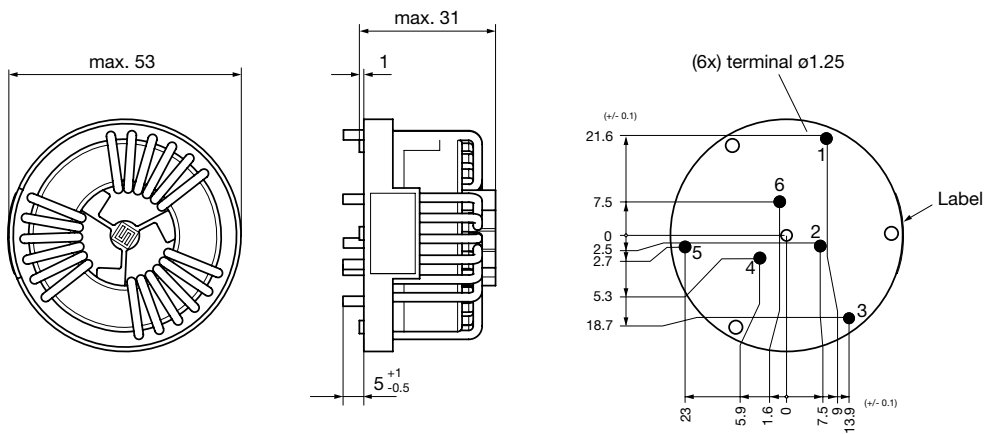
52-20



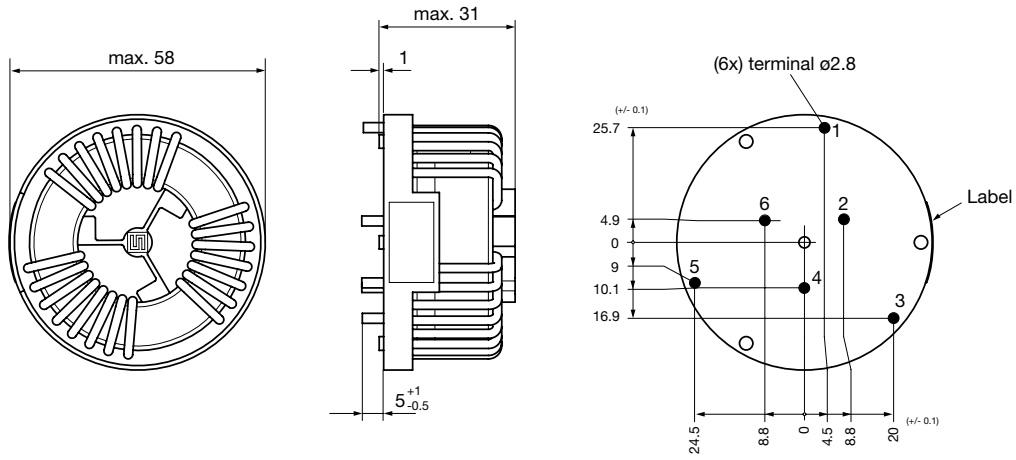
52-25



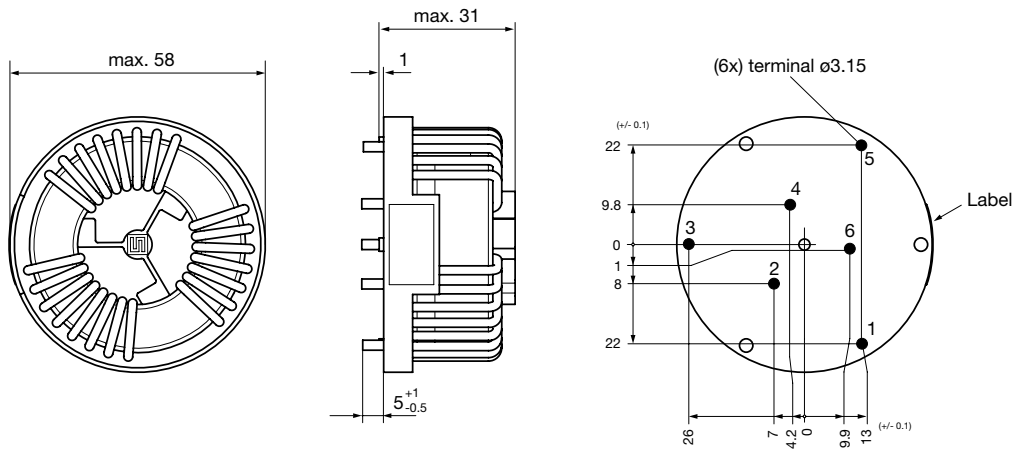
52-10



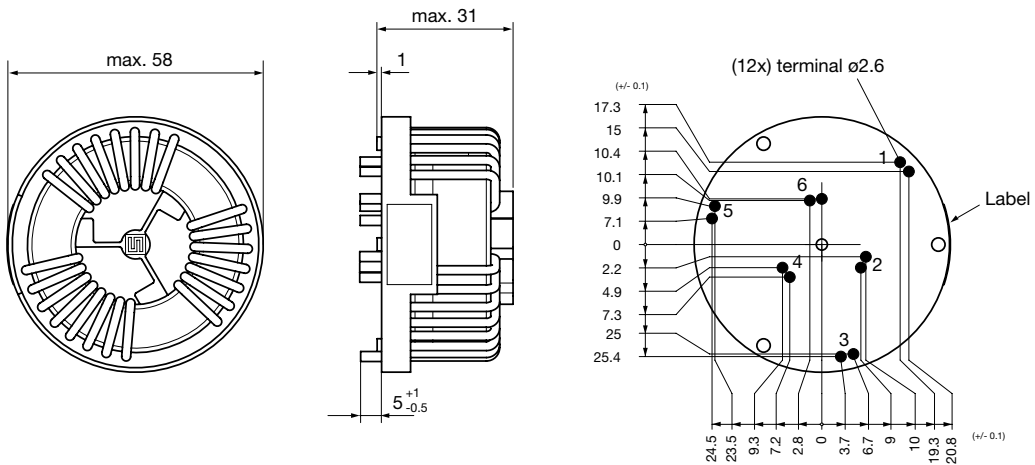
58-32



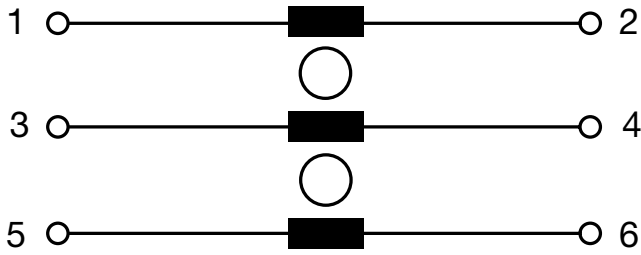
58-40



58-50

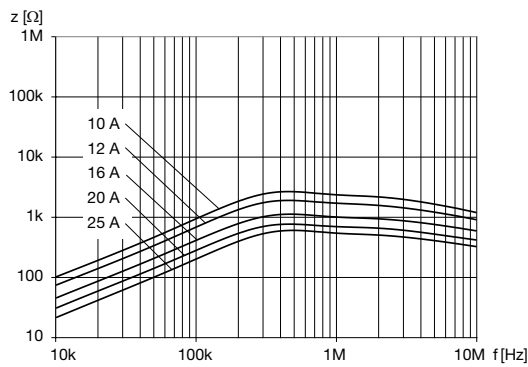


Diagrams

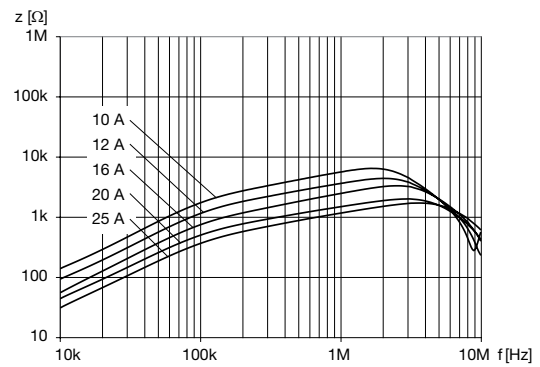


3 phases

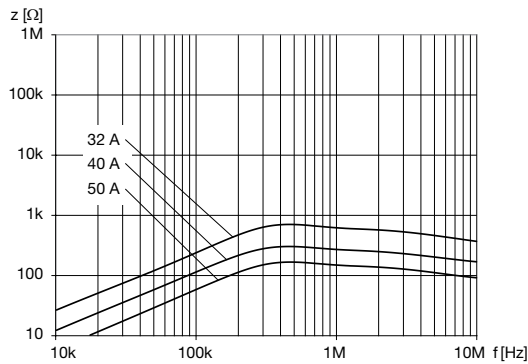
DKIH-3352-xxxx



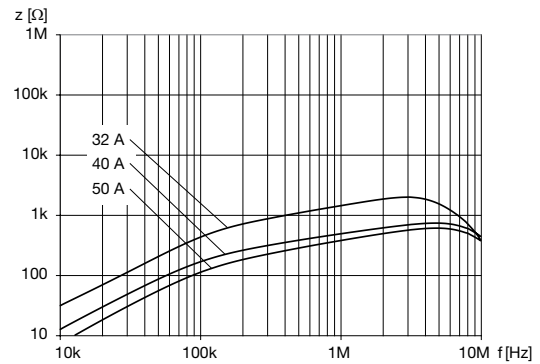
DKIH-3352-xxxx-NK



DKIH-3358-xxxx



DKIH-3358-xxxx-NK



All Variants

I_n [A]	L_n [mH]	R_{cu} [mΩ]	Tripped Power Dissipation [W]	f_{RES} [MHz]	Copper ϕ [mm]	Weight [g]	Housings	Packing unit [pcs.]	Order Number
10	1.1	7.5	2.3	0.5	1.25	90g	52-10	20	DKIH-3352-102J
10	10.8	7.5	2.3	1.5	1.25	90g	52-10	20	DKIH-3352-1011-NK
12	0.75	4.5	1.9	0.5	1.5	90g	52-12	20	DKIH-3352-12D8
12	7.2	4.5	1.9	2	1.5	90g	52-12	20	DKIH-3352-120Q-NK
16	0.46	3	2.3	0.5	1.8	90g	52-16	20	DKIH-3352-16D5
16	4.4	3	2.3	2.5	1.8	90g	52-16	20	DKIH-3352-162N-NK
20	0.35	1.5	1.8	0.5	2.24	105g	52-20	20	DKIH-3352-20D4
20	3.1	1.5	1.8	3	2.24	105g	52-20	20	DKIH-3352-204L-NK
25	0.24	1.2	2.3	0.5	2.24	100g	52-25	20	DKIH-3352-25D3
25	2.2	1.2	2.3	3.5	2.24	100g	52-25	20	DKIH-3352-254K-NK
32	0.33	1.1	3.4	0.4	2.8	155g	58-32	20	DKIH-3358-32D3
32	2.6	1.1	3.4	3	2.8	155g	58-32	20	DKIH-3358-326K-NK

I_n [A]	L_n [mH]	R_{cu} [mΩ]	Tripped Power Dissipation [W]	f_{RES} [MHz]	Copper ϕ [mm]	Weight [g]	Housings	Packing unit [pcs.]	Order Number
40	0.15	0.6	2.9	0.4	3.15	145 g	58-40	20	DKIH-3358-40D2
40	1.1	0.6	2.9	5	3.15	145 g	58-40	20	DKIH-3358-401J-NK
50	0.08	0.4	3	0.4	2 x 2.5	160 g	58-50	20	DKIH-3358-50C8
50	0.7	0.4	3	5	2 x 2.5	160 g	58-50	20	DKIH-3358-50D7-NK

Most Popular.

Availability for all products can be searched real-time: <https://www.schurter.com/en/Stock-Check/Stock-Check-SCHURTER>