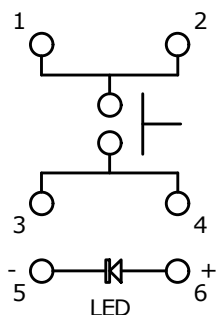
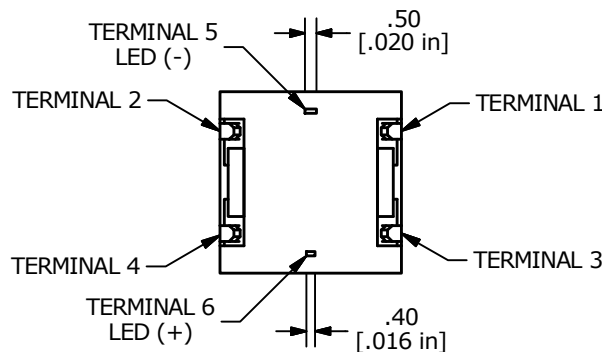
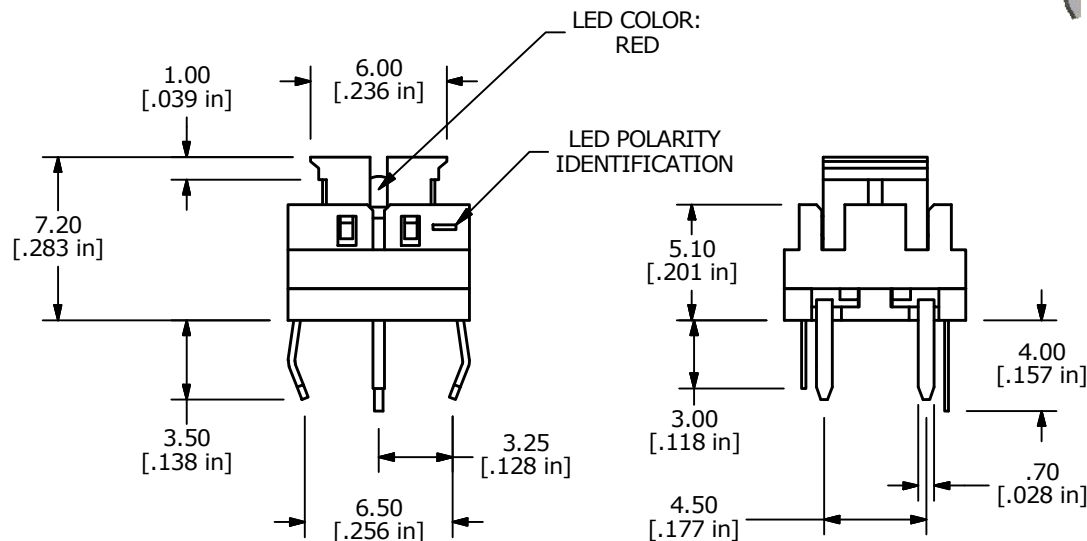
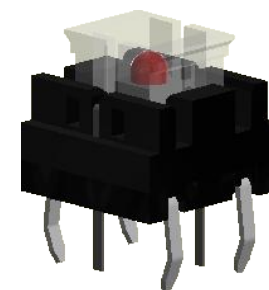
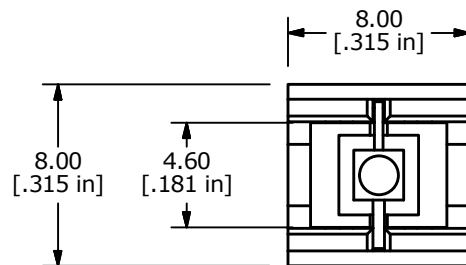


RECOMMENDED PCB LAYOUT



CIRCUIT: SPST



- NOTE:
1. ALL DIMENSIONS IN MM [INCH]
  2. GENERAL TOLERANCE: X.X = ±0.4  
X.XX = ±0.25
  3. TERMINAL NUMBERS FOR REF ONLY
  4. CONTACT MATERIAL: SILVER
  5. RATING: 50mA @ 12 VDC
  6. CYCLE LIFE: 100,000 MAKE-AND-BREAK CYCLES
  7. INSULATION RESISTANCE: 100 MΩ MIN.
  8. DIELECTRIC STRENGTH: 250 V RMS
  9. CONTACT RESISTANCE: 100mΩ MAX.
  10. OPERATING TEMP.: -25°C to 70°C
  11. ▲ DENOTES CRITICAL PARAMETER.
  - ▲ 12. LED COLOR: RED
  13. TRAVEL: 0.25 ± 0.10mm
  14. ACTUATION FORCE: 350 ± 100 gf

LED PARAMETER	FORWARD CURRENT	FORWARD VOLTAGE @ 20mA	LUMINOUS INTENSITY
UNITS	mA	V	mcd
RED	20	2.0 TYP. - 2.5 MAX.	700 TYP.



C	24033	REMOVED NOTE 15. PACK..	9/10/19	MJR
B	23998	REMOVED NOTE 16. CAPS TO BE..	8/12/19	MJR
REV	PCR NO	DESCRIPTION	DATE	BY

TITLE TL6275AA2PQNR				
SCALE	DATE	DR	DWG	REV
3:1	1/23/2019	MJR	T062750	C

THE INFORMATION CONTAINED IN THIS DOCUMENT IS PROPRIETARY TO E-SWITCH AND IS NOT TO BE COPIED OR TRANSFERRED