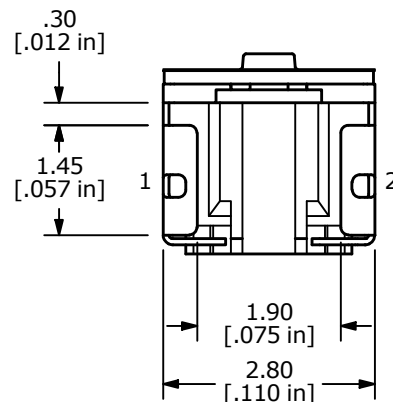
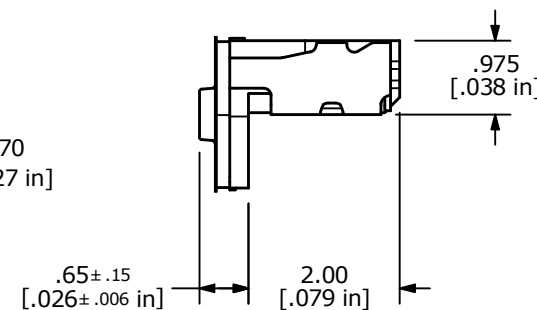
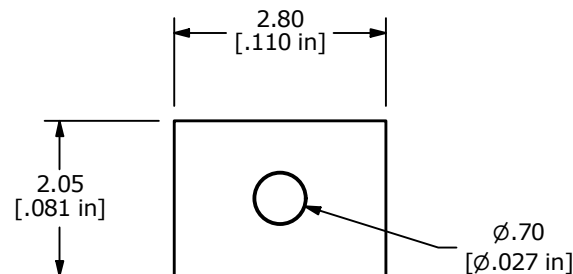
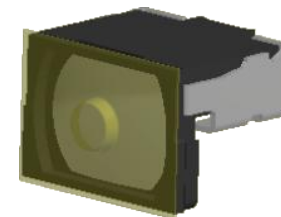
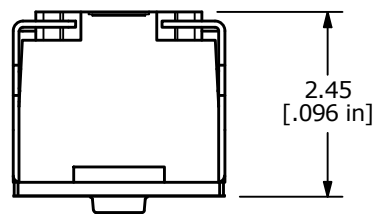


- NOTES:
1. ALL DIMENSIONS IN MM [INCH]
 2. GENERAL TOLERANCE: X.X = ±0.4
X.XX = ±0.25
 3. CONTACT RATING: 20mA @ 15VDC
 4. CONTACT RESISTANCE: 500mΩ MAX.
 5. INSULATION RESISTANCE: 50MΩ MIN @ 100VDC.
 - ▲ 6. OPERATING FORCE: 160 ± 50gf
 7. TRAVEL: 0.13 ± 0.1mm
 8. OPERATING TEMPERATURE: -40°C to +85°C
 9. STORAGE TEMPERATURE: -40°C to +85°C
 10. OPERATING LIFE: 300,000 CYCLES
 11. ▲ DENOTES CRITICAL PARAMETERS
 12. PARTS TO BE PACKAGED IN TAPE & REEL, 6000 PIECES PER REEL



C	24519	update terminals	10/5/20	MW
B	24199	add tolerance to .65 dimension	2/19/20	MW
A	23053	New Release	10/19/17	rc
REV	PCR NO	DESCRIPTION	DATE	BY



TITLE TL4110AF160Q				
SCALE	DATE	DR	DWG	REV
10:1	9/20/2017	rc	N010400	C