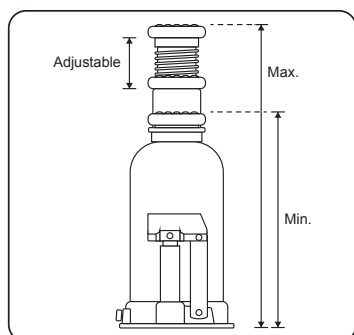


# Bottle Jack

9TY112

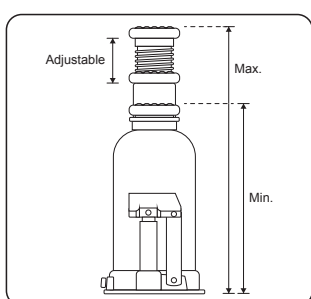


KT NO.	Capacity (l)	Adjustable height (mm)	Min height (mm)	Max height (mm)	N.W (kg)	G.W (kg)	CUFT
9TY112-02A-B	2	48	175	339	2.38	2.46	0.60
9TY112-03A-B	3	60	190	368	2.5	2.58	0.77
9TY112-04A-B	4	60	190	368	2.5	2.58	0.77
9TY112-05A-B	5	70	210	407	4.02	4.12	0.64
9TY112-06A-B	6	70	210	407	4.02	4.12	0.64
9TY112-08A-B	8	80	225	440	5.4	5.5	0.74
9TY112-10A-B	10	80	225	440	5.4	5.5	0.74
9TY112-12A-B	12	80	230	465	6.69	6.82	0.64
9TY112-15A-B	15	80	230	460	7.9	8.03	0.64
9TY112-16A-B	16	80	230	460	7.9	8.03	0.49
9TY112-20A-B	20	60	240	450	10.06	10.22	0.57
9TY112-32A-B	32	-	260	430	17.8	18.05	0.35
9TY112-50A-B	50	-	280	470	25.8	26.1	0.49

# Bottle Jack

9TY112A

- With blow case



KT NO.	Capacity (l)	Adjustable height (mm)	Min height (mm)	Max height (mm)	N.W (kg)	G.W (kg)	CUFT
9TY112A-02A-B	2	48	175	339	2.35	2.71	1.16
9TY112A-03A-B	3	60	190	368	2.95	3.37	1.41
9TY112A-04A-B	4	60	190	368	2.95	3.37	1.41
9TY112A-05A-B	5	70	210	407	3.9	4.5	1.07
9TY112A-06A-B	6	70	210	407	3.9	4.5	1.07
9TY112A-12A-B	8	80	225	440	6.5	7.3	0.86