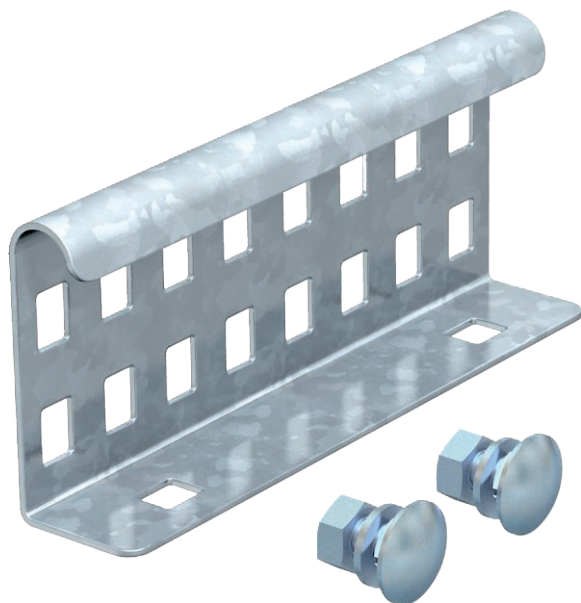


Technical data sheet

Straight connector 60

Item no. 6208843



Straight connector as external connector to connect cable ladders and fittings with a side height of 60 mm and continuous rail perforation.



St	Steel
FT	Hot-dip galvanised

Additional product text, instruction | The bolt fastening ensures the continuity of the equipotential bonding.

Master data

Item no.	6208843
Type	LVG 60 FT
Description 1	Straight connector
Description 2	for cable ladder
Dimension	64x150
Material	Steel
Material symbol	St
Surface	Hot-dip galvanised
Surface to DIN	DIN EN ISO 1461
Surface symbol	FT
Smallest sales unit (VG)	10,00 Piece
Weight	23,00 kg/100 pc.

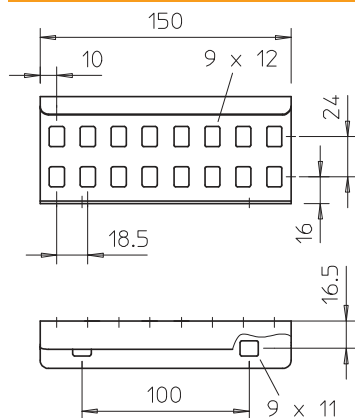
Technical data sheet

Straight connector 60

Item no. 6208843



Technical data



Height	64,00 mm
Side height	60,00 mm
Dimension	64x150 mm
Version	Straight connector
Plate thickness	1,50 mm
Suitable for cable tray	<input type="checkbox"/>
Suitable for mesh cable tray	<input type="checkbox"/>
Suitable for cable ladder	<input checked="" type="checkbox"/>
Adjustable connector, horizontal	<input type="checkbox"/>
Adjustable connector, vertical	<input type="checkbox"/>
Rustproof steel, pickled	<input type="checkbox"/>
Connection type	Screw connector